

 **BLAUPUNKT**



Enjoy it.

nikpol

Blaupunkt Kitchen Appliances 2023 / 2024





Perfectly integrated

Those opting for a modern, state-of-the-art kitchen expect not only appliances that meet the latest technical standards, but also a harmonious overall impression that perfectly combines technology and design. Blaupunkt products offer precisely that.



Heat

Dark Steel	8–10
Compact Appliances	10–11
Ovens	14–16
Microwaves	17
Range Cookers	19
Hobs	22–27
Gas Hobs	30–31
Hobs with extractor fan	35
<u>Blaupunkt Multi Control</u>	<u>36–37</u>

Air

Ceiling Cassettes	38
Wall hoods	38
Flat hoods	39
Fan module	39–41

Water

Dishwasher, 60 cm, partially integrated	44
Dishwasher, 60 cm, fully integrated	44
Dishwasher, 60 cm, free-standing	45

Blaupunkt Additional Accessories

Hobs	46
Ovens	48–49
Hobs with extractor fan	50
Extractor fan hoods	51
<u>Technical drawings</u>	<u>54–57</u>
<u>Icon explanation</u>	<u>58–59</u>
<u>Blaupunkt Service</u>	<u>60</u>



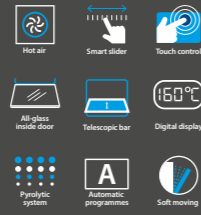


DARK STEEL

The Dark Steel series presents itself in a coherent and consistent design. The appliances are carefully aligned to create you a comfortable kitchen space. Ovens and compact appliances can be combined in various ways – along clear, uniform lines of design with black glass and white displays.

Built-in oven

5B50P 8590AU

**Output, consumption**

- Voltage: 220–240 V
- Total connected load: 3.2 kW

Oven type, heating type

Built-in electric oven with 11 heating types:

- Top/bottom heat
- Bottom heat
- Hot Air Eco
- Hot air
- Circulation
- Circulation grill
- Vario large area grill
- Vario small area grill
- Pizza level
- Defrost function
- Dough process

Design, comfort

- Control panel in the Dark Steel design
- Touch Control
- Smart Slider
- Digital display in white
- Quick heating
- Temperature recommendation
- Electronic temperature regulation from 30°C–250°C
- Pyrolytic self-cleaning
- Full glass inner door
- Soft-moving door
- Dark Steel metal handle with logo
- Cooking chamber volume 72 l
- Flat oven walls with oven racks
- Enamelled cooking chamber
- Removable oven door for easy cleaning
- Oven lighting
- Safety switch-off
- Child protection, door lock in pyrolysis mode
- Cooling fan
- Large oven interior with 1-way telescopic extension

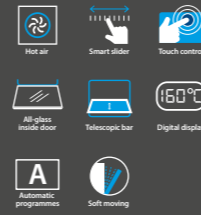
Dimensions H × W × D

- Appliance dimensions: 59.5 × 59.5 × 56.5 cm
- Installation dimensions: 60.0 × 56.0 × 55.0 cm
- Panel height: 96 mm



Built-in oven

5B50N 8590AU

**Output, consumption**

- Voltage: 220–240 V
- Total connected load: 2.9 kW

Oven type, heating type

Built-in electric oven with 11 heating types:

- Top/bottom heat
- Bottom heat
- Hot Air Eco
- Hot air
- Circulation
- Circulation grill
- Vario large area grill
- Vario small area grill
- Pizza level
- Defrost function
- Dough process

Design, comfort

- Control panel in the Dark Steel design
- Touch Control
- Smart Slider
- Digital display in white
- Quick heating
- Temperature recommendation
- Electronic temperature regulation from 30°C–250°C
- Full glass inner door
- Soft-moving door
- Dark Steel metal handle with logo
- Cooking chamber volume 72 l
- Flat oven walls with oven racks
- Enamelled cooking chamber
- Removable oven door for easy cleaning
- Oven lighting
- Safety switch-off
- Child protection, door lock in pyrolysis mode
- Cooling fan
- Large oven interior with 1-way telescopic extension

Dimensions H × W × D

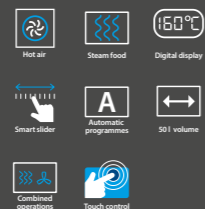
- Appliance dimensions: 59.5 × 59.5 × 56.5 cm
- Installation dimensions: 60.0 × 56.0 × 55.0 cm
- Panel height: 96 mm



BLAUPUNKT

Combination steam cooker

5C90S 8990AU New

**Output, consumption**

- Voltage: 220–240 V
- Total connected load: 3.0 kW
- Grill output: 2,200 W / hot air output: 1,700 W

Oven type, heating type

Compact oven with 13 heating types:

- Top / bottom heat
- Bottom heat
- Hot Air Eco
- Hot air
- Circulation
- Circulation grill
- Vario large area grill
- Vario small area grill
- Pizza level
- Defrost function
- Dough process
- Steam cooking from 35°C–100°C
- Combined operation

Design, comfort

- Control panel in the Dark Steel design
- Touch Control
- Smart Slider
- Digital display in white
- Push & pull water tank
- Temperature sensor
- Quick heating
- Temperature recommendation
- 16 automatic programmes
- Electronic temperature regulation from 30°C–250°C
- Full glass inner door
- Dark Steel metal handle with logo
- Cooking chamber volume 50 l
- Flat oven walls with oven racks
- Enamelled cooking chamber
- Removable oven door for easy cleaning
- LED oven lighting
- Safety switch-off
- Child protection
- Cooling fan

Accessories

- Combination grate
- Enamelled baking tray
- XL steam cooking container, perforated
- Temperature sensor

Special accessories: see page 48 / 49

Dimensions H × W × D

- Appliance dimensions: 45.4 × 59.5 × 56.8 cm
- Installation dimensions: 45.0 × 56.0 × 55.0 cm
- Panel height: 96 mm



Built-in compact microwave oven

5C60M 8690AU New

**Output, consumption**

- Voltage: 230 V
- Total connected load: 3.0 kW
- 900 W Microwave
- Grill output: 2,200 W / hot air output: 1,700 W

Oven type, heating type

Compact oven with 10 heating types:

- Top / bottom heat
- Bottom heat
- Hot air
- Circulation
- Circulation grill
- Vario large area grill
- Vario small area grill
- Pizza level
- Microwave with 5 power levels: 100 W, 300 W, 500 W, 700 W, 900 W
- Combined operation

Design, comfort

- Control panel in the Dark Steel design
- Touch Control
- Smart Slider
- Digital display in white
- Quick heating
- Temperature recommendation
- 13 automatic programmes
- Electronic temperature regulation from 30°C–250°C
- Full glass inner door
- Dark Steel metal handle with logo
- Cooking chamber volume 50 l
- Flat oven walls with oven racks
- Enamelled cooking chamber
- Removable oven door for easy cleaning
- LED oven lighting
- Safety switch-off
- Child protection
- Cooling fan

Accessories

- Combination grate
- Enamelled baking tray
- Glass pan

Special accessories: see page 48 / 49

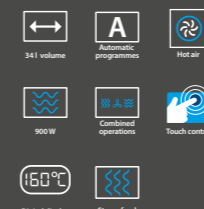
Dimensions H × W × D

- Appliance dimensions: 45.4 × 59.5 × 56.8 cm
- Installation dimensions: 45.0 × 56.0 × 55.0 cm
- Panel height: 96 mm



Combination steam cooker

5KD 94150AU

**Output, consumption**

- Voltage: 220–230 V
- Total connected load: 3.3 kW
- 900 W Microwave
- Grill output: 1,200 W / hot air output: 1,750 W
- Steam cooker output: 1,500 W

Oven type, heating type

- Heating types: hot air, circulation grill, area grill, microwave, combined operation, steam function
- 5 output levels: 900 W, 700 W, 450 W, 300 W, 100 W
- Maximum temperature circulation / hot air: 230°C
- Maximum temperature circulation grill: 180°C
- Maximum temperature steam cooker: 100°C
- Maximum temperature steam cooker / hot air: 230°C

Design, comfort

- Control panel made of glass and stainless steel
- 34 l stainless steel cooking chamber
- 1 l water tank volume for steam cooking function
- Metal handle
- Folding door
- Digital display
- Digital clock with day display
- All heating types can be used separately and in combination
- User-friendly electronics with touch control
- 10 defrost / cooking programmes with automatic weight adjustment
- Cook control – 80 automatic programmes
- Child protection

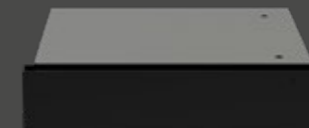
Dimensions H × W × D

- Appliance dimensions: 45.4 × 59.5 × 52.5 cm
- Installation dimensions: 45.0 × 56.0 × 55.0 cm
- Panel height: 96 mm



Warming drawer

5WS 16400AU

**Output, consumption**

- Voltage: 220–240 V
- Total connected load: 0.4 kW

Oven type, heating type

- Heating by fan heater
- Temperature regulation in 3 levels: from 30°C–80°C
- 20.5 l interior volume
- Rotary switch on inside

Design, comfort

- Black glass front
- Opens without handles by push & pull
- Telescopic full extension
- Anti-slip mat
- Dish pre-heating
- Food warm-keeping function
- Defrosting of frozen food
- Load capacity 15 kg

Dimensions H × W × D

- Appliance dimensions: 14.0 × 59.4 × 54.2 cm
- Installation dimensions: 14.0 × 56.0–56.8 × 55.0 cm





OVENS

Crispy, delicate and fresh – all available with a simple touch! Intuitive operating concepts and clearly arranged display solutions allow your oven to produce perfect results. And when the feast is over, these practical kitchen appliances simply clean themselves.

Built-in oven

5B36P 0250AU

**Output, consumption**

- Voltage: 220–240 V
- Total connected load: 3.2 kW

Oven type, heating type

Built-in electric oven with 8 heating types:

- Top/bottom heat
- Bottom heat
- Hot Air Eco
- Hot air
- Hot air grill
- Vario large area grill
- Vario small area grill
- Defrost function

Design, comfort

- Fully retractable control knob
- Digital display
- Electronic clock
- Quick heating
- Temperature recommendation
- Pyrolytic self-cleaning
- Full glass inner door
- Metal handle
- Cooking chamber volume 70 l
- Flat oven walls with oven racks
- Enamelled cooking chamber
- Removable oven door for easy cleaning
- Oven lighting
- Safety switch-off
- Child protection, door lock in pyrolysis mode
- Cooling fan
- Large oven interior with 1-way telescopic extension

Dimensions H × W × D

- Appliance dimensions: 59.5 × 59.5 × 57.5 cm
- Installation dimensions: 59.0 × 56.0 × 55.0 cm
- Panel height: 96 mm



Built-in oven

5B36N 0250AU

**Output, consumption**

- Voltage: 220–240 V
- Total connected load: 3.0 kW

Oven type, heating type

Built-in electric oven with 8 heating types:

- Top/bottom heat
- Bottom heat
- Hot Air Eco
- Hot air
- Hot air grill
- Vario large area grill
- Vario small area grill
- Defrost function

Design, comfort

- Fully retractable control knob
- Digital display
- Electronic clock
- Quick heating
- Temperature recommendation
- Full glass inner door
- Metal handle
- Cooking chamber volume 70 l
- Flat oven walls with oven racks
- Enamelled cooking chamber
- Removable oven door for easy cleaning
- Oven lighting
- Safety switch-off
- Cooling fan
- Large oven interior with 1-way telescopic extension

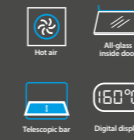
Dimensions H × W × D

- Appliance dimensions: 59.5 × 59.5 × 57.5 cm
- Installation dimensions: 59.0 × 56.0 × 55.0 cm
- Panel height: 96 mm



Built-in oven

5B30N 0250AU New

**Output, consumption**

- Voltage: 220–240 V
- Total connected load: 3.0 kW

Oven type, heating type

Built-in electric oven with 8 heating types:

- Top/bottom heat
- Bottom heat
- Hot Air Eco
- Hot air
- Hot air grill
- Vario large area grill
- Vario small area grill
- Defrost function

Design, comfort

- Fully retractable control knob
- Digital display
- Electronic clock
- Quick heating
- Temperature recommendation
- Full glass inner door
- Metal handle
- Cooking chamber volume 70 l
- Flat oven walls with oven racks
- Enamelled cooking chamber
- Removable oven door for easy cleaning
- Oven lighting
- Safety switch-off
- Cooling fan
- Large oven interior with 1-way telescopic extension

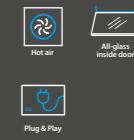
Dimensions H × W × D

- Appliance dimensions: 59.5 × 59.5 × 57.5 cm
- Installation dimensions: 59.0 × 56.0 × 55.0 cm
- Panel height: 96 mm



Built-in oven

5B20N 0290AU

**Output, consumption**

- Voltage: 220–240 V
- Total connected load: 2.1 kW

Oven type, heating type

Built-in electric oven with 5 heating types:

- Hot Air
- Grill
- Grill with fan
- Defrosting
- ECO

Design, comfort

- Temperature regulation from 50 °C–250 °C
- Full glass inner door
- Low window temperature
- Cooking chamber volume 70 l
- Smooth oven walls with suspended grates
- Metal handle
- Enamelled cooking chamber
- Removable oven door for easy cleaning
- Oven lighting
- Cooling fan
- Control lamp for operation condition

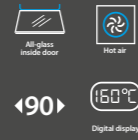
Dimensions H × W × D

- Appliance dimensions: 59.5 × 59.5 × 57.5 cm
- Installation dimensions: 60.0 × 57.0 × 56.0 cm
- Panel height: 120 mm



Built-in oven

5BC 94190AU



90

160°C

Digital display

Output, consumption

- Voltage: 220 – 240 V
- Total connected load: 2.8 kW

Oven type, heating type

Built-in electric oven with 9 heating types:

- Conventional
- Grill
- Double grill
- Double grill with fan
- Bottom heat
- Conventional with fan
- Hot air
- Defrost
- ECO

Design, comfort

- Mechanical control
- Fully retractable control knob
- Temperature regulation from 50 °C – 250 °C
- Full glass inner door
- Low window temperature
- Cooking chamber volume 93 l
- Smooth oven walls with suspended grates
- Metal handle
- Enamelled cooking chamber
- Removable oven door for easy cleaning
- Oven lighting
- Cooling fan
- Control lamp for operation condition

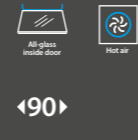
Dimensions H x W x D

- Appliance dimensions: 48.0 x 90.0 x 54.5 cm
- Installation dimensions: 47.5 – 47.7 x 86.0 x 55.0 – 56.0 cm



Built-in oven

5BC 93190AU



90

160°C

Digital display

Output, consumption

- Voltage: 220 – 240 V
- Total connected load: 2.8 kW

Oven type, heating type

Built-in electric oven with 9 heating types:

- Conventional
- Grill
- Double grill
- Double grill with fan
- Bottom heat
- Conventional with fan
- Hot air
- Defrost
- ECO

Design, comfort

- Mechanical control with digital timer
- Fully retractable control knob
- Temperature regulation from 50 °C – 250 °C
- Full glass inner door
- Low window temperature
- Cooking chamber volume 93 l
- Smooth oven walls with suspended grates
- Metal handle
- Enamelled cooking chamber
- Removable oven door for easy cleaning
- Oven lighting
- Cooling fan
- Control lamp for operation condition

Dimensions H x W x D

- Appliance dimensions: 48.0 x 90.0 x 54.5 cm
- Installation dimensions: 47.5 – 47.7 x 86.0 x 55.0 – 56.0 cm



Built-in compact microwave oven

5MG 17190AU

**Output, consumption**

- Voltage: 230 – 240 V
- Connected load: 2.3 kW
- 1,000 W Microwave
- Grill Power: 1,100 W
- Hot air Power: 2,300 W

Design, comfort

- Built-in appliance for a 60 cm wide tall cupboard
- Heating types: microwave, grill, hot air, combination cooking
- Touch control
- 5 output levels: 1,000 W, 800 W, 500 W, 300 W, 100 W
- 10 automatic programmes
- Defrost by weight / time
- Red LED Digital display
- 34 l stainless steel cavity
- 31.5 cm glass turntable
- Child safety lock
- Push open door

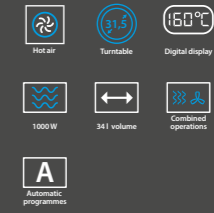
Dimensions H x W x D

- Appliance dimensions: 38.8 x 59.5 x 47.0 cm
- Installation dimensions: 38.0 x 56.0 x 55.0 cm



Built-in compact microwave oven

5MA 27500AU

**Output, consumption**

- Voltage: 230 – 240 V
- Connected load: 2.3 kW
- 1,000 W Microwave
- Grill Power: 1,100 W
- Hot air Power: 2,300 W

Design, comfort

- Built-in microwave, stainless steel
- Heating types: microwave, grill, hot air, combination cooking
- Knob and button control
- 5 output levels: 1,000 W, 800 W, 500 W, 300 W, 100 W
- 10 automatic programmes
- Defrost by weight / time
- White LED digital display
- 34 l stainless steel cavity
- 31.5 cm glass turntable
- Child safety lock

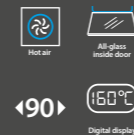
Dimensions H x W x D

- Appliance dimensions: 38.8 x 59.5 x 47.0 cm
- Installation dimensions: 38.0 x 56.0 x 55.0 cm



Range Cooker

5RC 91490AU

**Output, consumption**

- Voltage: 220 – 240 V
- Total connected load: cooktop: 11.1 kW, oven: 2.94 kW

Cooktop type, power

Gas cooktop

5 SABAF burners with power:

- Central: 3.6 kW
- Front left: 3.0 kW
- Rear left: 1.75 kW
- Front right: 1.0 kW
- Rear right: 1.75 kW

Preset to natural gas (20 mbar)

- Can be converted to liquid gas (LPG nozzle is included in the package)
- Connection cable 1 m

Oven type, heating type

Built-in electric oven with 8 heating types:

- Hot air
- Bottom heat
- Conventional
- Convectional with fan
- Grill
- Double grill
- Double grill with fan
- Defrost

Environment, comfort

- Mechanical control with digital timer
- Full glass inner door
- Enamelled cooking chamber
- Cooking chamber volume: 109 l
- Smooth oven walls with suspended grates
- Removable oven door for easy cleaning
- Oven lighting

Dimensions H × W × D

- Appliance dimensions: 76.9 × 89.5 × 60.0 cm



Range Cooker

5RC 92490AU New

**Output, consumption**

- Voltage: 220 – 240 V
- Total connected load: cooktop: 11.1 kW, oven: 2.94 kW

Cooktop type, power

Gas cooktop

5 SABAF burners with power:

- Central: 3.6 kW
- Front left: 3.0 kW
- Rear left: 1.75 kW
- Front right: 1.0 kW
- Rear right: 1.75 kW

Preset to natural gas (20 mbar)

- Can be converted to liquid gas (LPG nozzle is included in the package)
- Connection cable 1 m

Oven type, heating type

Built-in electric oven with 8 heating types:

- Hot air
- Bottom heat
- Conventional
- Convectional with fan
- Grill
- Double grill
- Double grill with fan
- Defrost

Environment, comfort

- Mechanical control with digital timer
- Full glass inner door
- Enamelled cooking chamber
- Cooking chamber volume: 109 l
- Smooth oven walls with suspended grates
- Removable oven door for easy cleaning
- Oven lighting

Dimensions H × W × D

- Appliance dimensions: 76.9 × 89.5 × 60.0 cm



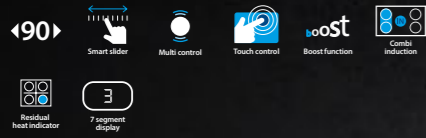


HOBS

Not all heat is alike. Sometimes the temperature has to rise rapidly – boosting heat for perfect searing. Other things need time – uniform heat for gentle cooking.

Stand-alone hob, combi induction

511 94291AU

**Output, consumption**

- Voltage: 220 – 240 V
- Total connected load: 7.4 kW
- 5 induction cooking zones with booster:
 - 2 cooking zones, combi induction
Ø 20.0 × 21.0 cm, 2.3 kW (3.0 kW)
 - 2 cooking zones, combi induction
Ø 20.0 × 21.0 cm, 2.3 kW (3.0 kW)
 - 1 cooking zone Ø 21.5 cm, 2.3 kW (3.0 kW)

Design, comfort

- Frameless
- Multi Control
- Smart Slider
- Touch Control
- 2 × combi induction
- Flexible linking – Any two cooking zones can be combined into one cooking zone
- Boost function for all induction cooking zones
- Grill function
- Electronic control in 10 power levels
- Digital display of cooking levels in white
- Residual heat display for each cooking zone
- Pot detection
- Child protection
- Timer – simultaneously adjustable for each cooking zone
- Countdown function
- Quick start function
- Recall function – Repeat the last settings
- Automatic safety switch-off
- Overflow detection
- Power management
- Flush-mounted installation possible
- Quick assembly system

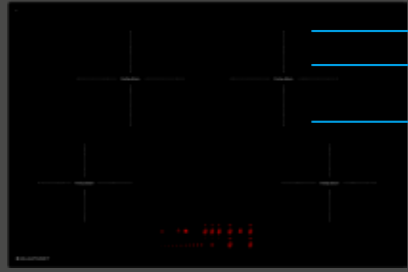
Dimensions H × W × D

- Appliance dimensions: 5.2 × 88.0 × 52.0 cm
- Installation dimensions: 5.2 × 81.0 × 49.0 cm



Stand-alone hob, induction

5IE 84252AU



- Smart Slider
- Quick assembly
- Enhanced technology

**Output, consumption**

- Voltage: 220–240 V
- Total connected load: 7.4 kW
- 4 induction cooking zones with booster:
 - 2 cooking zones Ø 17.5 cm, 1.4 kW (2.1 kW)
 - 2 cooking zones Ø 21.5 cm, 2.3 kW (3.0 kW)

Design, comfort

- Frameless
- Multi Control
- Smart Slider
- Touch Control
- Boost function for all induction cooking zones
- Electronic control in 10 power levels
- Digital display of cooking levels
- Residual heat display for each cooking zone
- Pot detection
- Child protection
- Timer – simultaneously adjustable for each cooking zone
- Countdown function
- Quick start function
- Recall function – Repeat the last settings
- Automatic safety switch-off
- Overflow detection
- Power management
- Flush-mounted installation possible
- Quick assembly system

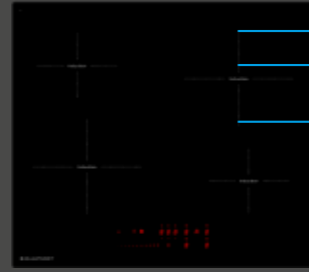
Dimensions H × W × D

- Appliance dimensions: 5.2 × 78.0 × 52.0 cm
- Installation dimensions: 5.2 × 75.0 × 49.0 cm



Stand-alone hob, induction

5IE 64252AU



- Smart Slider
- Quick assembly
- Enhanced technology

**Output, consumption**

- Voltage: 220–240 V
- Total connected load: 7.4 kW
- 4 induction cooking zones with booster:
 - 1 cooking zone Ø 15.5 cm, 1.4 kW (2.1 kW)
 - 1 cooking zone Ø 15.5 cm, 1.4 kW (1.85 kW)
 - 2 cooking zones Ø 21.5 cm, 2.3 kW (3.0 kW)

Design, comfort

- Frameless
- Multi Control
- Smart Slider
- Touch Control
- Boost function for all induction cooking zones
- Electronic control in 10 power levels
- Digital display of cooking levels
- Residual heat display for each cooking zone
- Pot detection
- Child protection
- Timer – simultaneously adjustable for each cooking zone
- Countdown function
- Quick start function
- Recall function – Repeat the last settings
- Automatic safety switch-off
- Overflow detection
- Power management
- Flush-mounted installation possible
- Quick assembly system

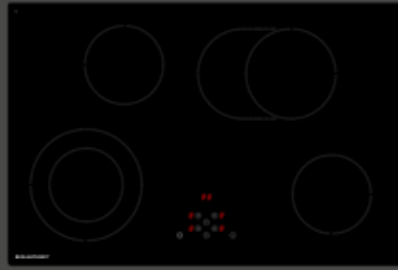
Dimensions H × W × D

- Appliance dimensions: 5.2 × 59.0 × 52.0 cm
- Installation dimensions: 5.2 × 56.0 × 49.0 cm



Stand-alone hob

5RG 74351AU

**Output, consumption**

- Voltage: 220 – 240 V
- Total connected load: 7.0 kW
- 4 high-speed cooking zones:
 - 1 cooking zone Ø 14.5 / 22.0 cm, 1.0 kW (2.2 kW) double ring zone
 - 1 cooking zone Ø 18.0 / 27.5 cm, 1.5 kW (2.4 kW) casserole zone
 - 2 cooking zones Ø 15.5 cm, 1.2 kW

Design, comfort

- Frameless
- Touch Control
- Sensor button for zone extension
- Electronic control in 10 power levels
- Digital display of cooking levels
- Residual heat display for each cooking zone
- Child lock
- Timer – simultaneously adjustable for each cooking zone
- Automatic safety switch-off
- Overflow detection
- Flush-mounted installation possible
- Quick assembly system

Dimensions H × W × D

- Appliance dimensions: 5.7 × 78.0 × 52.0 cm
- Installation dimensions: 5.7 × 75.0 × 49.0 cm



Stand-alone hob

5RG 64361AU

**Output, consumption**

- Voltage: 220 – 240 V
- Total connected load: 7.0 kW
- 4 high-speed cooking zones:
 - 1 cooking zone Ø 14.5 / 22.0 cm, 1.0 kW (2.2 kW) double ring zone
 - 1 cooking zone Ø 18.0 / 27.5 cm, 1.5 kW (2.4 kW) casserole zone
 - 2 cooking zones Ø 15.5 cm, 1.2 kW

Design, comfort

- Frameless
- Touch Control
- Sensor button for zone extension
- Electronic control in 10 power levels
- Digital display of cooking levels
- Residual heat display for each cooking zone
- Child lock
- Timer – simultaneously adjustable for each cooking zone
- Automatic safety switch-off
- Overflow detection
- Flush-mounted installation possible
- Quick assembly system

Dimensions H × W × D

- Appliance dimensions: 5.7 × 59.0 × 52.0 cm
- Installation dimensions: 5.7 × 56.0 × 49.0 cm



Stand-alone hob

5RE 64361AU

**Output, consumption**

- Voltage: 220 – 240 V
- Total connected load: 6.0 kW
- 4 high-speed cooking zones:
 - 2 cooking zones Ø 15.5 cm, 1.2 kW
 - 2 cooking zones Ø 19.0 cm, 1.8 kW

Design, comfort

- Frameless
- Touch Control
- Electronic control in 10 power levels
- Digital display of cooking levels
- Residual heat display for each cooking zone
- Child lock
- Automatic safety switch-off
- Overflow detection
- Flush-mounted installation possible
- Quick assembly system

Dimensions H × W × D

- Appliance dimensions: 5.7 × 59.0 × 52.0 cm
- Installation dimensions: 5.7 × 56.0 × 49.0 cm



Stand-alone hob

5RZ 34411AU

**Output, consumption**

- Voltage: 220 – 240 V
- Total connected load: 3.0 kW
- 2 high-speed cooking zones:
 - 1 cooking zone Ø 14.5 cm, 1.2 kW
 - 1 cooking zone Ø 18.0 cm, 1.8 kW

Design, comfort

- Frameless
- Touch Control
- Electronic control in 9 power levels
- Digital display of cooking levels
- Residual heat display for each cooking zone
- Child lock
- Automatic safety switch-off
- Overflow detection
- Flush-mounted installation possible
- Quick assembly system

Dimensions H × W × D

- Appliance dimensions: 5.7 × 29.0 × 52.0 cm
- Installation dimensions: 5.7 × 27.0 × 49.0 cm



GAS HOBS

Change the temperature at lightning speed – cooking on an open flame is direct, emotional and, thanks to the latest technology, completely safe. A Blaupunkt gas hob is an eye-catcher in the kitchen and delivers a truly professional cooking experience.



Gas hob

5GB 92290AU New



◀90▶

Output, consumption

- Connected load, gas: 11.1 kW
- Burner with 5 cooking areas:
- Front left: Economy burner 1 kW
- Back left: Rapid burner 3 kW
- Mid: wok burner: 3.6 kW
- Rear right: Standard burner 1.75 kW
- Front right: Standard burner 1.75 kW

Design, comfort

- Black glass, hardened
- Front control knob
- Electrical spoke spark ignition controllable with one hand
- Protection against unintentional escape of gas (thermoelectric safety pilot)
- Cast iron pot carrier
- Preset to natural gas (20 mbar)
- Convertible to liquid gas (LPG nozzle is included in the package)
- Connection cable 1 m

Dimensions H x W x D

- Appliance dimensions: 9.0 x 90.0 x 52.0 cm
- Installation dimensions: 4.5 x 83.0 x 48.0 cm



Gas hob

5GB 62191AU



◀60▶

Output, consumption

- Connected load, gas: 8.1 kW
- Burner with 4 cooking areas:
- Front left: Triple burner 3.6 kW
- Back left: Standard burner 1.75 kW
- Rear right: Standard burner 1.75 kW
- Front right: Economy burner 1 kW

Design, comfort

- Black glass, hardened
- Front control knob
- Electrical spoke spark ignition controllable with one hand
- Protection against unintentional escape of gas (thermoelectric safety pilot)
- Cast iron pot carrier
- Preset to natural gas (20 mbar)
- Convertible to liquid gas (LPG nozzle is included in the package)
- Connection cable 1 m

Dimensions H x W x D

- Appliance dimensions: 9.0 x 60.0 x 51.5 cm
- Installation dimensions: 4.5 x 56.0 x 49.0 cm



Gas hob

5GB 31150AU New



◀30▶

Output, consumption

- Connected load gas: 5.35 kW
- Burner with 2 cooking areas:
- Front: Standard burner 1.75 kW
- Rear: Standard burner 3.6 kW

Design, comfort

- Black glass, hardened
- Front control knob
- Electrical spoke spark ignition controllable with one hand
- Protection against unintentional escape of gas (thermoelectric safety pilot)
- Cast iron pot carrier
- Preset to natural gas (20 mbar)
- Convertible to liquid gas (LPG nozzle is included in the package)
- Connection cable 1 m

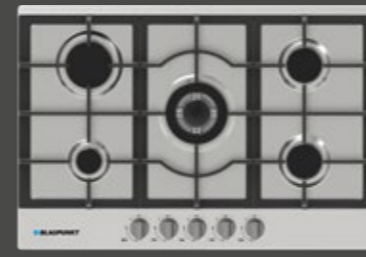
Dimensions H x W x D

- Appliance dimensions: 9.0 x 30.0 x 52.0 cm
- Installation dimensions: 4.5 x 28.0 x 49.0 cm



Gas hob

5GB 91250AU



◀90▶

Output, consumption

- Connected load, gas: 11.1 kW
- Burner with 5 cooking areas:
- Front left: Economy burner 1 kW
- Back left: Rapid burner 3 kW
- Mid: wok burner: 3.6 kW
- Rear right: Standard burner 1.75 kW
- Front right: Standard burner 1.75 kW

Design, comfort

- Stainless steel
- Front control knob
- Electrical spoke spark ignition controllable with one hand
- Protection against unintentional escape of gas (thermoelectric safety pilot)
- Cast iron pot carrier
- Preset to natural gas (20 mbar)
- Convertible to liquid gas (LPG nozzle is included in the package)
- Connection cable 1 m

Dimensions H x W x D

- Appliance dimensions: 9.0 x 86.0 x 51.0 cm
- Installation dimensions: 4.5 x 81.5 x 49.0 cm



Gas hob

5GB 61151AU



◀60▶

Output, consumption

- Connected load, gas: 8.1 kW
- Burner with 4 cooking areas:
- Front left: Triple burner 3.6 kW
- Back left: Standard burner 1.75 kW
- Rear right: Standard burner 1.75 kW
- Front right: Economy burner 1 kW

Design, comfort

- Stainless steel
- Front control knob
- Electrical spoke spark ignition controllable with one hand
- Protection against unintentional escape of gas (thermoelectric safety pilot)
- Cast iron pot carrier
- Preset to natural gas (20 mbar)
- Convertible to liquid gas (LPG nozzle is included in the package)
- Connection cable 1 m

Dimensions H x W x D

- Appliance dimensions: 9.0 x 59.0 x 51.0 cm
- Installation dimensions: 4.5 x 56.0 x 49.0 cm





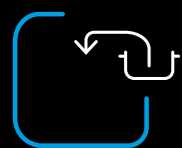
HOBS WITH INTEGRATED EXTRACTOR

The modern extractor solution offers one thing above all – more freedom: A clear view, as the fumes are extracted directly where they arise. Odourless cooking and more freedom in kitchen planning.

High-quality filter systems allow nothing but fresh air to be produced, while still being powerful and noise-free. The perfect combination of heat and air in a single appliance.

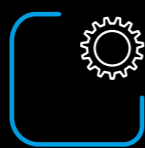
Perfectly planned – Hob with an extractor fan

Perfect integration in the kitchen cabinet makes integrated design and maximum functionality possible in the first place. Thanks to the slim and space-efficient design, the appliances allow a greater use of your cabinet and drawer spaces.



SHORTER DISTANCE – MORE EFFICIENT EXTRACTION – FRESHER AIR

The downdraft extractor ensures that cooking fumes do not even escape to the room and are instead filtered directly.



EFFICIENT TECHNOLOGY – MAXIMIZED PERFORMANCE

Optimized extraction paths, powerful motors and a perfectly balanced flow rate ensure maximum performance.



BETTER POSITIONING – ENJOYABLE COOKING

The intelligent fusion of a hob and extractor fan saves you from an unfavourable eye-level appliance position. Thanks to the direct downdraft extraction of the fumes, you keep a clear view.



RELAXING COOKING EXPERIENCE

Installation at base height shifts the sound field from the eye level downwards. Especially quiet motors give you additional peace and quiet.



FEWER APPLIANCES – PLANNING WITHOUT LIMITS

The absence of the additional appliance at head height opens up new possibilities in kitchen planning. Positioning the hob in the centre of the room or directly in front of the window allows you a clear view: no more limits stand in your way.



QUALITY FROM SELECTION TO WORKMANSHIP

Functionality and longevity are the result of the use of high-quality materials and precise workmanship.



EASIER TO ACCESS – EASIER TO CLEAN

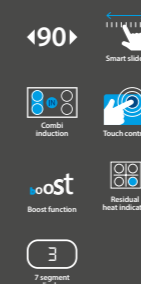
The filter technology ensures excellent absorption of moisture. To clean, you can access the filters easily and practically from above, rendering a tedious disassembly unnecessary.



Here you can find all information about our hob fans.

Stand-alone hob, induction with integrated extractor fan

5IX 99290AU



Output, consumption – hob

- Voltage: 220 – 240 V
- Total connected load: 8.8 kW
- 4 induction cooking zones with booster: 4 cooking zones Ø 22 cm, 2.1 kW (3.7 kW)

Design, comfort – hob

- Frameless
- Touch control with Smart Slider
- Boost function for all induction cooking zones
- Electronic control in 10 power levels
- Main switch for hob and extractor fan
- Toggle function with fixed temperatures (40 °C, 70 °C und 98 °C)
- Cooking Chef Mode, Pause and Recall
- Residual heat display
- Pot detection
- Child lock
- Timer
- Countdown function
- 2 x bridging function
- Flush-mounted installation possible

Dimensions H x W x D

- Appliance dimensions: 82.7 – 98.2 x 90 x 53 cm
- Installation dimensions: 5.8 x 86.2 x 49.5 cm

Planning information

- Air outlet / exhaust air duct to the left
- It is not possible to plan in dishwashers, underframe coolers, base drawers, etc. in the exhaust air routing area
- For the circulation variant, it is not possible to plan in dishwashers, underframe coolers, base drawers, etc. directly on the left side
- Min. cabinet width 900 mm
- Worktop depth min. 600 mm (correspondingly deeper for the planning of recess panelling)
- Plint height min. 100 mm

Output, consumption – extractor fan

- Voltage: 220 – 240 V
- Total connected load: 165 W
- Average power consumption: 30.8 kWh / year
- Noise min. / max. normal level / intensive level: min 45 dB (A) max. 65 dB (A) max. 70 dB (A)
- Fan output max. normal level / intensive level*: In extraction mode 580 m³/h / 730 m³/h In circulation mode 45 m³/h / 560 m³/h

Design, comfort – extractor fan


- Electronic opening of the extractor fan
- Glass ceramic, black
- Suitable for installation in a kitchenette or kitchen island
- Optional extraction or circulation mode (for circulation mode a carbon filter is required)
- 6-level fan output controllable via Touch Control with 7-segment LED display
- 5 power levels + 1 intensive level
- Intensive level with automatic reset for extraction mode
- Automatic three-level blower overrun of 5 / 10 and 20 minutes with LED display
- Metallic grease filter and carbon filter saturation indicator via LED warning light
- For the cleaning / emptying of metallic filters and water collection vessels, the appliance automatically blocks after 40 hours of operation
- Automatic overrun for circulation mode
- Water collection tank: 0.75 litre capacity
- Powerful and quiet blower
- Metallic grease filter, dishwasher-safe

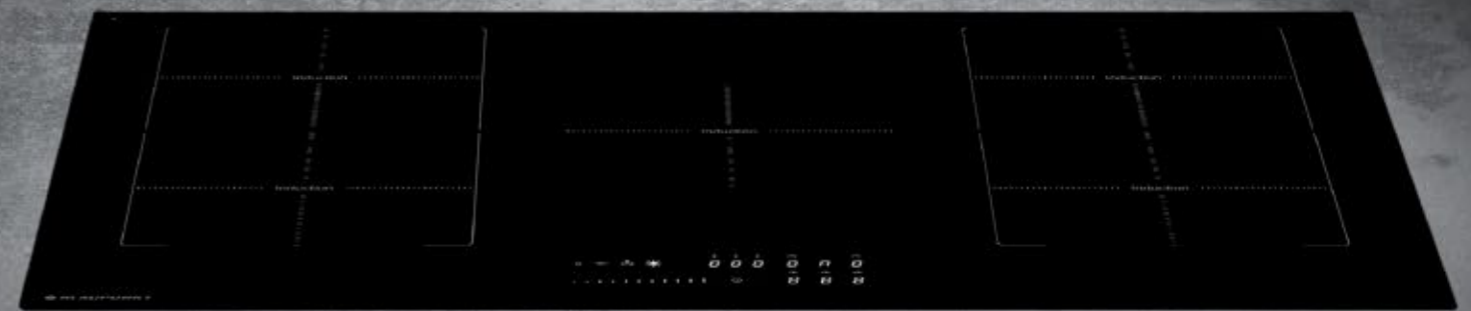


* According to EU Regulation no. 65 / 2014 / fan power according to EN 61591



Blaupunkt Multi Control – a unique connection

Here everything comes together that belongs together: Blaupunkt hobs with Multi Control  form a unique combination – together with the Multi Control extractor fan hoods. These can be easily controlled using the hob operating panel, and they automatically adjust their output in line with the heat generation of the hob. The cable-free Multi Control sensor promises a long-lasting technical standard and intuitive operation.



Ceiling Cassette

5DD 72555AU

**Output, consumption**

- Voltage: 220 – 240 V
- Total connected load: 150.4 W
- Average power consumption: 38.3 kWh / year*
- Fan efficiency class: A*
- Light efficiency class: B*
- Grease filter efficiency class: E*
- Noise min. / max. Normal level: 40 / 65 dB*
- Fan output max. Normal level / Intensive level*:
- In extraction mode 490 m³/h / 700 m³/h
- In circulation mode 300 m³/h / 400 m³/h

Design, comfort

- Stainless steel
- For ceiling installation above kitchen islands
- Multi Control
- Optional extraction or circulation mode (carbon filter required for circulation mode)
- Electronic control
- 4-level fan power (3 power levels + 1 intensive level) controllable through Multi Control
- Intensive levels with automatic reset
- Filter saturation display
- Powerful and quiet blower
- Uniform, bright lighting with 2 × 2.7 W LED modules
- Optional extendible Multi Control function: LED light with adjustable brightness and colour temperature
- Illuminance: 111 Lux
- Colour temperature: 4,000 K preset
- Metal grease filter, dishwasher-safe

Dimensions H × W × D

- Appliance dimensions: max. 19.2 × 90.0 × 49.9 cm



Wall hood

5DB 69253AU

**Output, consumption**

- Voltage: 220 – 240 V
- Total connected load: 225.4 W
- Average power consumption: 44 kWh/year*
- Noise min. / max. normal level: 48 / 58 dB*
- Fan output max. normal level / intensive level*:
- In extraction mode 560 m³/h / 632 m³/h
- In circulation mode 394 m³/h / 445 m³/h

Design, comfort

- Stainless steel
- For wall installation above cooking zones
- Multi Control
- Optional extraction or circulation mode (for circulation mode a carbon filter is required)
- Electronic control
- 4-level fan output (3 power levels + 1 intensive level) controllable via Multi Control
- Intensive levels with automatic reset
- Powerful and quiet blower
- Uniform, bright lighting with 2 × 2.7 W LED modules
- Optional extendible Multi Control function: LED light with adjustable brightness and colour temperature
- Heat sensor for automatic mode
- Colour temperature 4,000 K preset
- Metallic grease filter, dishwasher-safe
- Incl. exhaust air shaft

Dimensions H × W × D

- Appliance dimensions, extraction: 64.0 – 106.0 × 90.0 × 48.0 cm
- Appliance dimensions, circulation: 71.0 – 113.0 × 90.0 × 48.0 cm



Wall hood

5DW 69750AU

**Output, consumption**

- Voltage: 220 – 240 V
- Total connected load: 135 W
- Average power consumption: 72.5 kWh / year*
- Fan efficiency class: E*
- Light efficiency class: A*
- Grease filter efficiency class: C*
- Noise min. / max. Normal level: 53 / 64 dB*
- Fan output max. Normal level:
- In extraction mode max. 380 m³/h
- In circulation mode max. 235 m³/h

Design, comfort

- Stainless steel
- For wall installation above cooking zones
- Optional extraction or circulation mode (carbon filter required for circulation mode)
- 3-level fan power controllable via push buttons
- Uniform, bright lighting with 2 × 5 W LED lamps
- Illuminance: 900 Lux
- Colour temperature: 3,000 K
- Metal grease filter, dishwasher-safe
- Incl. exhaust air shaft

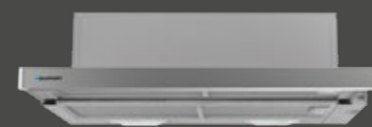
Dimensions H × W × D

- Appliance dimensions, extraction: 66.0 – 101.5 × 90.0 × 47.0 cm
- Appliance dimensions, circulation: 79.0 – 101.5 × 90.0 × 47.0 cm



Flat hood

5DA 36258AU

**Output, consumption**

- Voltage: 220 – 240 V
- Total connected load: 118 W
- Average power consumption: 38.6 kWh / year*
- Noise min. / max. normal level: 54 / 67 dB*
- Fan power*
- In extraction mode max. 340 m³/h
- In circulation mode max. 120 m³/h

Design, comfort

- Optional extraction or circulation mode (activated carbon filter required for circulation mode)
- For wall cabinet 60 cm
- Telescopic extension without panel
- Panel from original light strip from kitchen furniture manufacturer
- 3-level fan output controllable via slide switch
- Automatic switch-on and switch-off by pressing the moving filter surface
- Uniform, bright lighting with 2 × 4 W LED lamps
- Illuminance: 100 Lux
- Colour temperature 3,000 K
- Metallic grease filter, dishwasher-safe

Dimensions H × W × D

- Appliance dimensions: 19.6 × 59.8 × 26.0 cm



Fan module

5DA 45450AU

**Output, consumption**

- Voltage: 220 – 240 V
- Total connected load: 254 W
- Average power consumption: 96.1 kWh / year*
- Fan efficiency class: A*
- Light efficiency class: A*
- Grease filter efficiency class: C*
- Noise min. / max. Normal level: 57 / 71 dB*
- Fan output max. Normal level / Intensive level*:
- In extraction mode 600 m³/h / 680 m³/h
- In circulation mode 290 m³/h / 340 m³/h

Design, comfort

- Fan module with white glass
- Optional extraction or circulation mode (carbon filter required for circulation mode)
- Soft push buttons (3 power levels + 1 intensive level)
- Intensive levels with automatic reset
- High, fine-tunable fan power through electronic control
- Edge suction
- Uniform, bright lighting with 2 × 1 W LED lamps
- Illuminance: 200 Lux
- Colour temperature: 3,000 K
- Metal grease filter, dishwasher-safe

Special accessories

- 5Z 9100X1: Activated carbon filter

Dimensions H × W × D

- Appliance dimensions, extraction: 33.0 × 52.0 × 30.0 cm
- Appliance dimensions, circulation: 33.0 × 52.0 × 30.0 cm



Fan module

5DA 49450AU

**Output, consumption**

- Voltage: 220 – 240 V
- Total connected load: 254 W
- Average power consumption: 96.1 kWh / year*
- Noise min. / max. normal level: 57 / 71 dB*
- Fan output max. normal level / intensive level*:
- In extraction mode 600 m³/h / 680 m³/h

Design, comfort

- Fan module with white glass
- Optional extraction or circulation mode (starter set required for circulation mode)
- Soft push buttons (3 power levels + 1 intensive level)
- Intensive levels with automatic reset
- High, fine-tunable fan output via electronic control
- Edge suction
- Uniform, bright lighting with 2 × 1 W LED lamps
- Illuminance: 200 Lux
- Colour temperature 3,000 K
- Metallic grease filter, dishwasher-safe

Dimensions H × W × D

- Appliance dimensions, extraction: 33.0 × 86.0 × 30.0 cm
- Appliance dimensions, circulation: 33.0 × 86.0 × 30.0 cm



* According to EU Regulation no. 65 / 2014 / fan power according to EN 61591

Fan module

5DA 15260AU New

**Output, consumption**

- Voltage: 220 – 240 V
 - Total connected load: 168 W
 - Average power consumption: 44.7 kWh / year*
 - Noise min. / max. normal level: 47 / 63 dB (A)*
- Fan output max. normal level / intensive level*:
- In extraction mode max. 590 m³ / h

Design, comfort

- Optional extraction or circulation mode (starter set required for circulation mode)
- For wall cabinet 60 cm
- Fan power 3-level adjustable by mechanical sliding switch
- Powerful and quiet blower
- Even, bright illumination with 2 × 4 W LED lamps
- Illuminance: 100 Lux
- Color temperature: 4,000 K
- Metallic grease filter, dishwasher-safe (aluminium)

Dimensions H × W × D

- Appliance dimensions: 33.75 × 52.2 × 28.6 cm



Fan module

5DA 17260AU New

**Output, consumption**

- Voltage: 220 – 240 V
 - Total connected load: 168 W
 - Average power consumption: 44.7 kWh / year*
 - Noise min. / max. normal level: 47 / 63 dB*
- Fan output max. normal level / intensive level*:
- In extraction mode max. 590 m³ / h

Design, comfort

- Optional extraction or circulation mode (starter set required for circulation mode)
- For wall cabinet 90 cm
- Fan power 3-level adjustable by mechanical sliding switch
- Powerful and quiet blower
- Even, bright illumination with 2 × 4 W LED lamps
- Illuminance: 100 Lux
- Colour temperature: 4,000 K
- Metallic grease filter, dishwasher-safe (aluminium)

Dimensions H × W × D

- Appliance dimensions: 33.75 × 70.2 × 28.6 cm



Fan module

5DA 15160AU New

**Output, consumption**

- Voltage: 220 – 240 V
 - Total connected load: 168 W
 - Average power consumption: 44.7 kWh / year*
 - Noise min. / max. normal level: 47 / 63 dB (A)*
- Fan output max. normal level / intensive level*:
- In extraction mode max. 590 m³ / h

Design, comfort

- Optional extraction or circulation mode (starter set required for circulation mode)
- For wall cabinet 60 cm
- Fan power 3-level adjustable by mechanical sliding switch
- Powerful and quiet blower
- Even, bright illumination with 2 × 4 W LED lamps
- Illuminance: 100 Lux
- Color temperature: 4,000 K
- Metallic grease filter, dishwasher-safe (aluminium)

Dimensions H × W × D

- Appliance dimensions: 33.75 × 52.2 × 28.6 cm



Fan module

5DA 17160AU New

**Output, consumption**

- Voltage: 220 – 240 V
 - Total connected load: 168 W
 - Average power consumption: 44.7 kWh / year*
 - Noise min. / max. normal level: 47 / 63 dB*
- Fan output max. normal level / intensive level*:
- In extraction mode max. 590 m³ / h

Design, comfort

- Optional extraction or circulation mode (starter set required for circulation mode)
- For wall cabinet 90 cm
- Fan power 3-level adjustable by mechanical sliding switch
- Powerful and quiet blower
- Even, bright illumination with 2 × 4 W LED lamps
- Illuminance: 100 Lux
- Colour temperature: 4,000 K
- Metallic grease filter, dishwasher-safe (aluminium)

Dimensions H × W × D

- Appliance dimensions: 33.75 × 70.2 × 28.6 cm



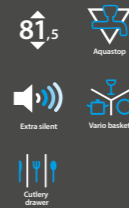


DISHWASHER

First the pleasure, then the work?
Blaupunkt dishwashers take over the work
for you, so you can keep having fun when
the feast is over. Different installation
heights and a wide, variable storage space:
the Blaupunkt range has the right helper
for every space need.

Built-in dishwasher, semi integrated

5VI 311AU New



Output, consumption

- Energy efficiency class: 3,5 star
- Water consumption class: 4.5 star
- Capacity: 14 standard place settings
- Energy / water¹⁾: 265 kWh / 3,500 l
- Energy / water²⁾: 0.71 kWh / 12.5 l
- Noise: 49 dB (A) re 1 pW
- Connected load: 220 – 240 V

Features, comfort

- 6 programs: Intensive, Heavy, Eco, Glass, 90 min., Rapid
- Type of control: Electronic Control
- Type of display: LED light
- Power of heat element (230 V): 1.800 W
- Timer pre-setting 3h / 6h / 9h
- Push button functions: Power, Program, Delay, Option, Start / Pause
- Functions of Indicator: Rinse Aid, Delay time, Power wash, program, Extra drying
- Type of heating element: Hidden
- Filter type: Main filter / Coarse filter / Fine filter
- Filter material: Plastic + stainless steel
- Tub material: Stainless steel
- Aquastop
- Cutlery drawer

Dimensions H x W x D

- Appliance dimensions: 81.5 x 59.8 x 57.0 cm
- Recess dimensions: 81.5 x 59.8 x 57.0 cm

¹⁾Consumption per year for 280 standard cleaning cycles with cold water filling (for energy consumption: incl. consumption by operating modes with low power consumption).

²⁾Consumption per dishwashing cycle with cold water filling (for energy consumption: including consumption by operating modes with low power consumption). Actual consumption with energy / water consumption depending on the type of use of the machine.



Built-in dishwasher, fully integrated

5VF 421AU New



Output, consumption

- Energy efficiency class: 3 star
- Water consumption class: 4.5 star
- Capacity: 14 Standard place settings
- Energy / water¹⁾: 265 kWh / 3.556 l
- Energy / water²⁾: 0.71 kWh / 10.5 l
- Noise: 49 dB (A) re 1 pW
- Voltage: 220 – 240 V

Features, comfort

- 8 programs: Auto, Intensive, Heavy, ECO, Glass, 90 min, Rapid, Soak
- Type of control: Electronic Control
- Type of display: LED light
- Power of heat element (230 V): 1.800 W
- Timer pre-setting 1 – 24h
- Push button functions: Power, Program, Delay, Extra drying
- Functions of Indicator: Rinse Aid, Program end, Delay time / remaining time, program, Extra drying
- Type of heating element: Hidden
- Filter type: Main filter / Coarse filter / Fine filter
- Filter material: Plastic + stainless steel
- Tub material: Stainless steel
- Aquastop
- Cutlery drawer

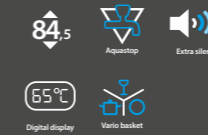
Dimensions H x W x D

- Appliance dimensions: 81.5 x 59.8 x 55.0 cm
- Built-in dimensions: 81.5 x 59.8 x 55.0 cm



Free-standing dishwasher

5VS 401AU New



Output, consumption

- Energy efficiency class: 3 star
- Water consumption class: 4.5 star
- Capacity: 12 standard place settings
- Energy / water¹⁾: 265 kWh / 2.940 l
- Energy / water²⁾: 0.73 kWh / 10.5 l
- Noise: 49 dB (A)
- Connected load: 220 – 240 V

Features, comfort

- 6 programs: Intensive, Heavy, ECO, 90 min, Rapid, Glass
- Type of display: LED light
- Power of heat element (230 V): 1.800 W
- Timer pre-setting: 3 / 6 / 9 h
- Push button functions: Power, Program, Delay, Option, Start / Pause
- Functions of Indicator: Rinse Aid, Delay time, Half load functions, program, Extra drying
- Type of heating element: Hidden
- Filter type: Main filter / Coarse filter / Fine filter
- Filter material: Plastic + stainless steel
- Tub material: Stainless steel
- Aquastop
- Cutlery basket in lower basket

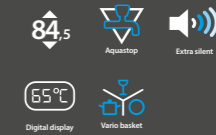
Dimensions H x W x D

- Appliance dimensions: 84.5 x 60.0 x 59.8 cm



Free-standing dishwasher

5VS 501AU New



Output, consumption

- Energy efficiency class: 3 star
- Water consumption class: 4.5 star
- Capacity: 12 standard place settings
- Energy / water¹⁾: 265 kWh / 2.940 l
- Energy / water²⁾: 0.73 kWh / 10.5 l
- Noise: 49 dB (A)
- Connected load: 220 – 240 V

Features, comfort

- 6 programs: Intensive, Heavy, ECO, 90 min, Rapid, Glass
- Type of display: LED light
- Power of heat element (230 V): 1.800 W
- Timer pre-setting: 3 / 6 / 9 h
- Push button functions: Power, Program, Delay, Option, Start / Pause
- Functions of Indicator: Rinse Aid, Delay time, Half load functions, program, Extra drying
- Type of heating element: Hidden
- Filter type: Main filter / Coarse filter / Fine filter
- Filter material: Plastic + stainless steel
- Tub material: Stainless steel
- Aquastop
- Cutlery basket in lower basket

Dimensions H x W x D

- Appliance dimensions: 84.5 x 60.0 x 59.8 cm



BLAUPUNKT ADDITIONAL ACCESSORIES

Adapt your use and increase the functionality of your appliance with our selection of additional accessories.



Griddle

5Z 99GP01AU

H x W x D
40.8 x 24.0 x 5 cm incl. handle
40.8 x 24.0 x 2.1 cm without handle

Compatible with all Blaupunkt hobs

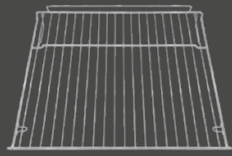


Teppanyaki plate

5Z 99TP01AU

It's every barbecue fan's dream: It may be raining, snowing or stormy outside – he can still indulge his passion inside. With the cast iron barbecue grill or the Teppanyaki grill, steaks, fish and vegetables get that familiar aroma from the open-air barbecue season.

Special accessories for ovens

**Multi-use wire shelf**

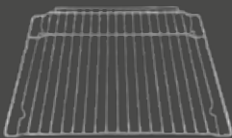
5Z 10CR10X0

Compatible with

5B20N 0290AU

**Universal pan**

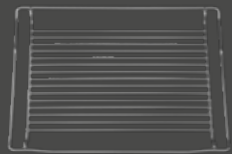
5Z 36BA50

Compatible with5B36N 0250AU 5B30N 0250AU
5B36P 0250AU 5B20N 0290AU**Multi-use wire shelf**

5Z 36CR10X0

Compatible with5B36N 0250AU 5B30N 0250AU
5B36P 0250AU**Enamelled baking tray**

5Z 50CB10E0

Compatible with5B50P 8590AU
5C90S 8990AU
5B50N 8590AU**Multi-use wire shelf**

5Z 50CR10X0

Compatible with5B50P 8590AU
5C90S 8990AU
5B50N 8590AU**Glass dish**

5Z 50CG10E0

Compatible with

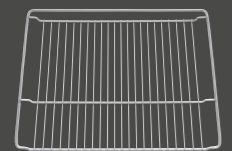
5C60M 8690AU

**Universal pan (black)**

5Z 50CB10E1

Compatible with

5C60M 8690AU

**Multi-use wire shelf**

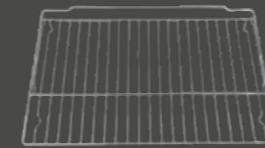
5Z 50CR10X1

Compatible with

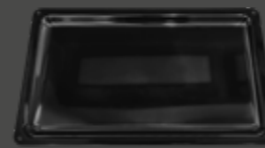
5C60M 8690AU

**Universal pan**

5Z 94CB10E0

Compatible with5BC 93190AU
5BC 94190AU**Multi-use wire shelf**

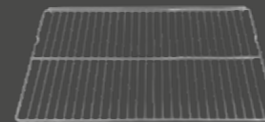
5Z 94CR10X0

Compatible with5BC 93190AU
5BC 94190AU**Universal pan**

5Z 91CB10E0

Compatible with

5RC 91490AU 5RC 92490AU

**Multi-use wire shelf**

5Z 91CR10X0

Compatible with

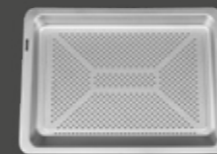
5RC 91490AU 5RC92490AU

**Telescopic extension rail**

5Z 50CU10E0

Compatible with5B50P 8590AU
5B50N 8590AU**Telescopic extension rail**

5Z 36VC50

Compatible with5B36N 0250AU 5B30N 0250AU
5B36P 0250AU**Steamer insert (stainless steel)**

5Z 50CS10E0

Compatible with

5C90S 8990AU

**Temperature probe**

5Z 50TE10E1

Compatible with

5C90S 8990AU

Accessories for hobs with integrated extraction



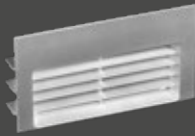
Wall box with stainless steel external vent

FK 130 plastic

Compatible with

5IX 99290AU

plastic



Base ventilation grille

FK 150 plastic

Compatible with

5IX 99290AU

plastic



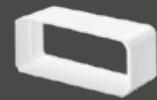
Connector 15° curve - horizontal -

FK 113 plastic

Compatible with

5IX 99290AU

plastic



Coupling

FK 110 plastic

Compatible with

5IX 99290AU

plastic



Connector 90° elbow - horizontal -

FK 111 plastic

Compatible with

5IX 99290AU

plastic



Connector 90° elbow - vertical -

FK 112 plastic

Compatible with

5IX 99290AU

plastic



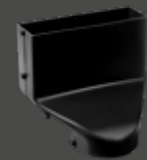
Flat duct

FK 100 plastic

Compatible with

5IX 99290AU

plastic



Kit for right air outlet

5Z 9104X1

Compatible with

5IX 99290AU



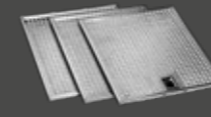
Activated carbon filter

5Z 9105X1

Compatible with

5IX 99290AU

Special accessories for extractor fan hoods

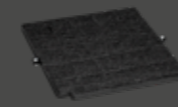


Stainless steel metallic grease filter

5Z 9203X1

Compatible with

5DB 69253AU

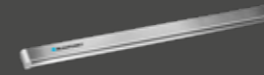


Activated carbon filter

5Z 9102X1

Compatible with

5DB 69253AU



Metal handle

5Z 5750N0

Compatible with

5DA 36258AU



Metal handle (black)

5Z 5750B0

Compatible with

5DA 36258AU

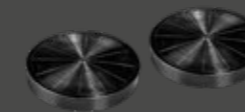


Activated carbon filter

5Z 9121X1

Compatible with

5DA 36258AU



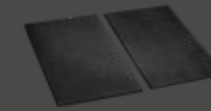
Activated carbon filter

5Z 9100X1

Compatible with

5DA 15260AU 5DA 17260AU

5DA 15160AU 5DA 17160AU



Long-life activated carbon filter

5Z 9135X1

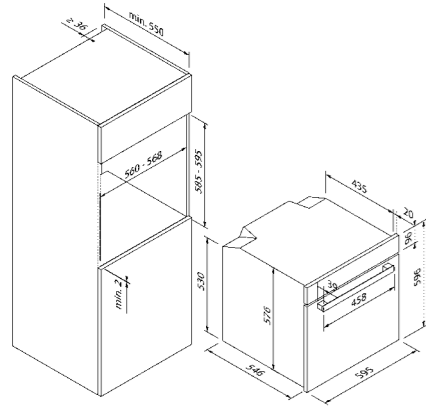
Compatible with

5DD 72555AU

TECHNICAL DRAWINGS

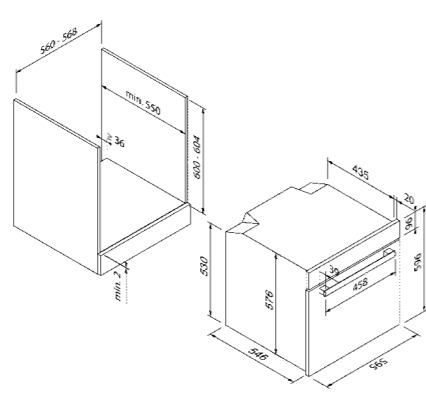


Ovens



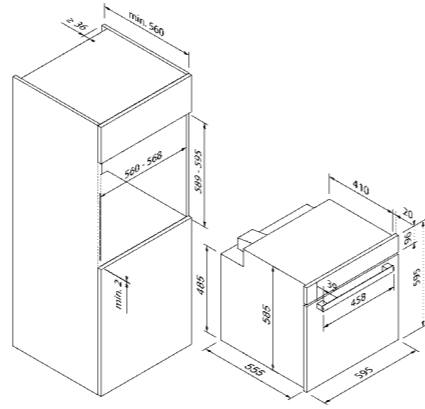
Suitable for oven TU

5B50P 8590AU 5B50N 8590AU



Suitable for oven BU

5B50P 8590AU 5B50N 8590AU



Suitable for oven TU

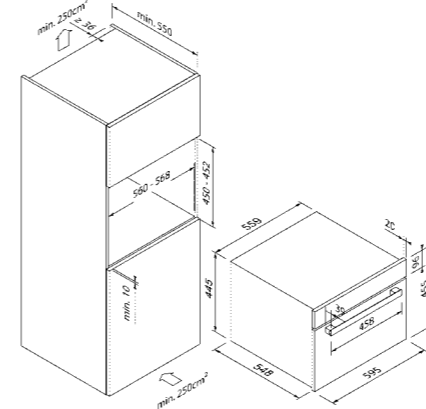
5B36P 0250AU 5B36N 0250AU

5B30N 0250AU

Compact appliances

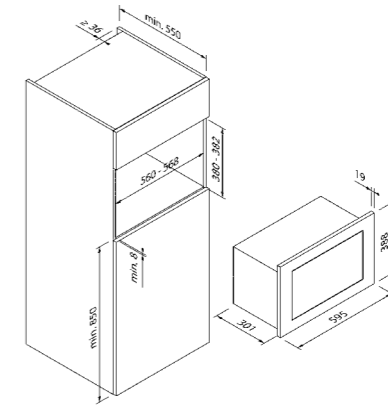
Microwaves

Warming drawer



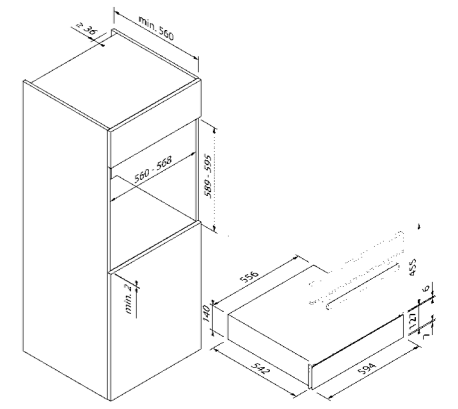
Suitable for compact appliance

5KD 94150AU



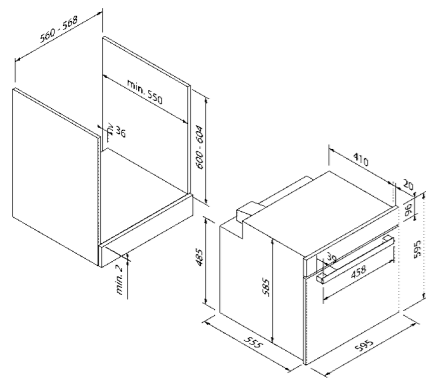
Suitable for microwave TU

5MA 27500AU 5MG 17190AU



Suitable for warming drawer

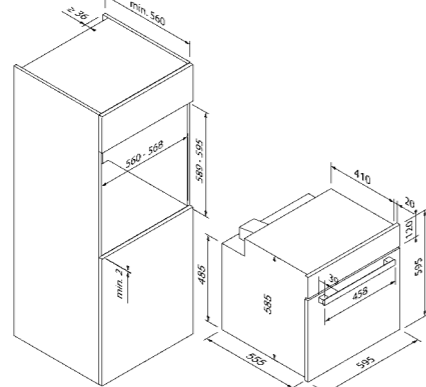
5WS 16400AU



Suitable for oven BU

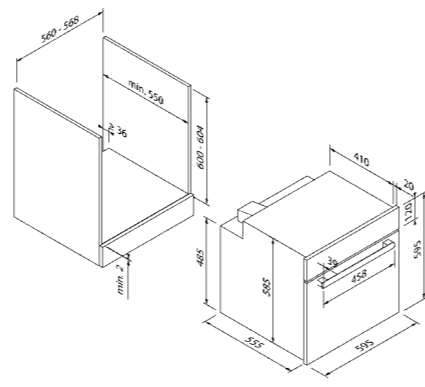
5B36P 0250AU 5B36N 0250AU

5B30N 0250AU



Suitable for oven TU

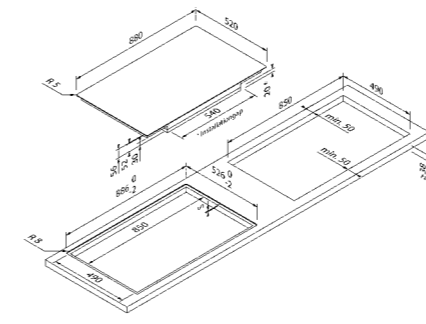
5B20N 0290AU



Suitable for oven BU

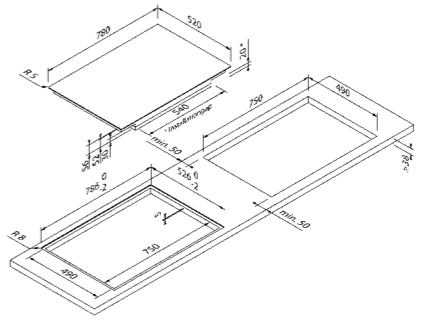
5B20N 0290AU

Hobs



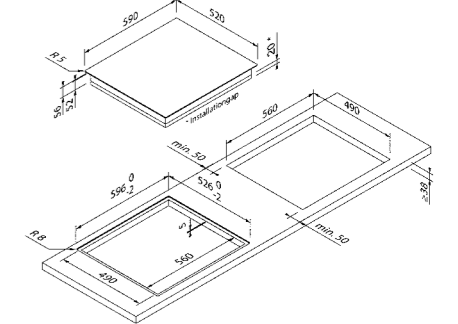
Suitable for hob | induction, stand-alone

5II 94291AU



Suitable for hob | induction, stand-alone

5IE 84252AU

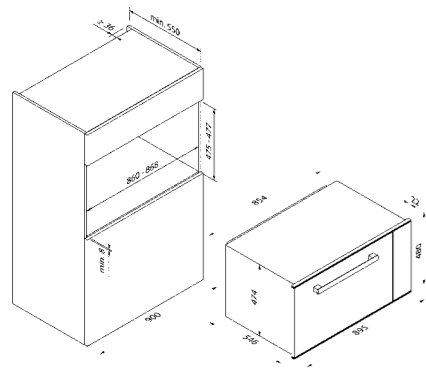


Suitable for hob | induction, stand-alone

5IE 64252AU

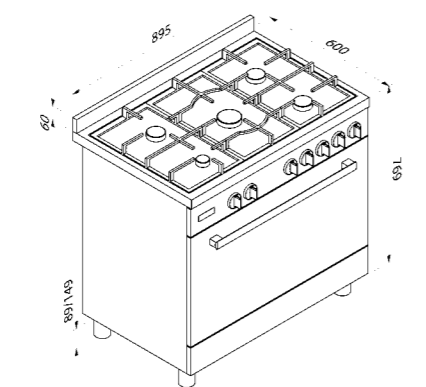
Range Cooker

Compact appliances



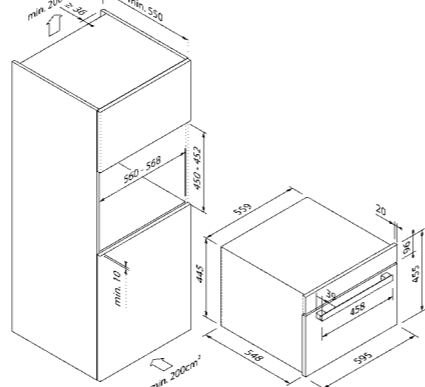
Suitable for oven TU

5BC 94190AU 5BC 93190AU



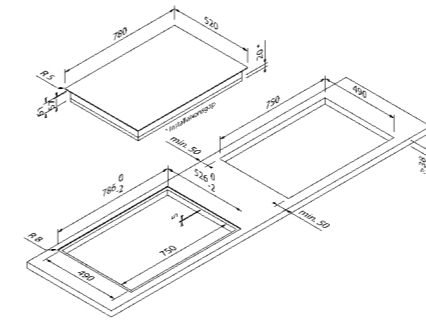
Suitable for range cooker | free-standing

5RC 91490AU 5RC 92490AU



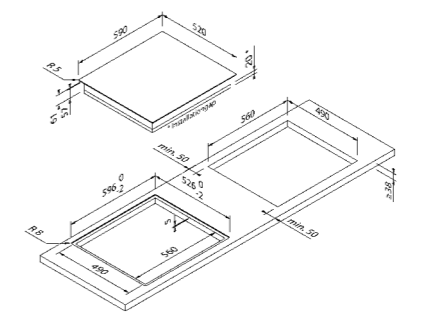
Suitable for compact appliance

5C90S 8990AU 5C60M 8690AU



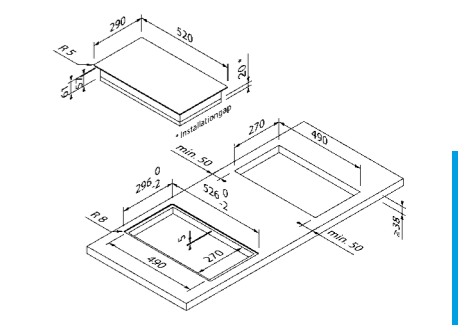
Suitable for hob | stand-alone

5RG 74351AU



Suitable for hob | stand-alone

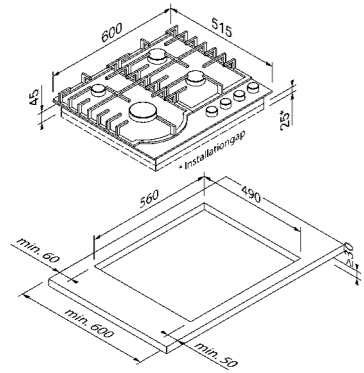
5RG 64361 5RE 64361AU



Suitable for hob | stand-alone

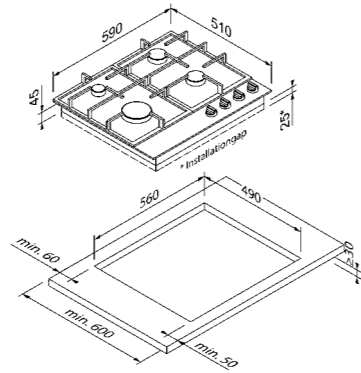
5RZ 34411AU

Gas hobs



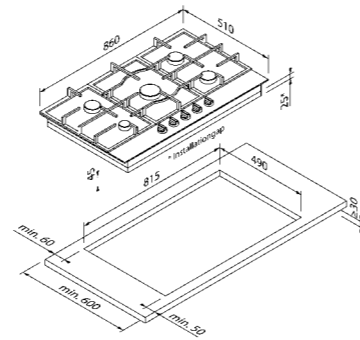
Suitable for gas hob

5GB 62191AU



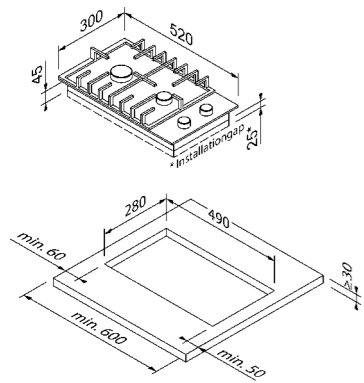
Suitable for gas hob

5GB 61151AU



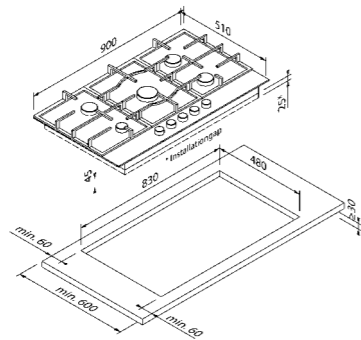
Suitable for gas hob

5GB 91250AU



Suitable for gas hob

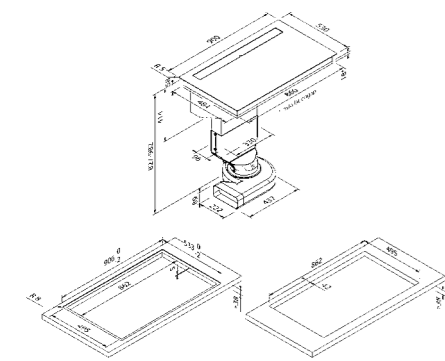
5GB 31150AU



Suitable for gas hob

5GB 92290AU

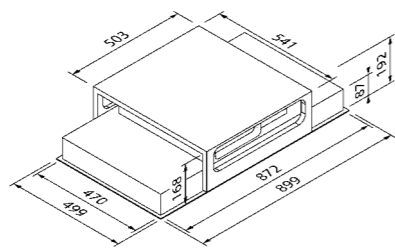
Downdraft



Stand-alone hob, integrated extractor fan

5IX 99290AU

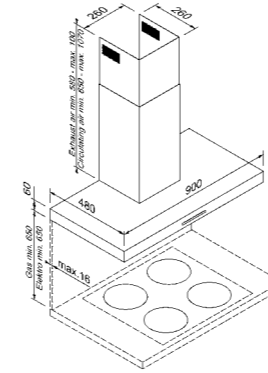
Ceiling fans



Suitable for ceiling fan

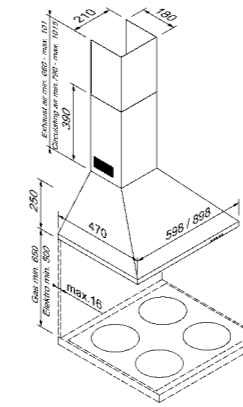
5DD 72555AU

Wall flues



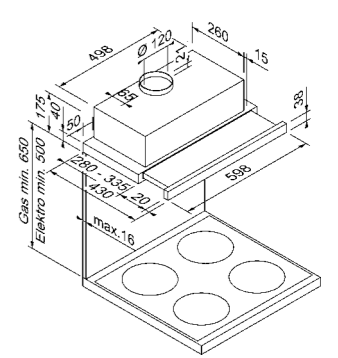
Suitable for wall flue

5DB 69253AU



Suitable for wall flue

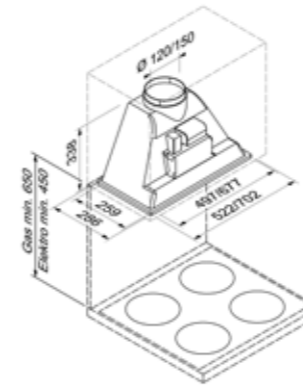
5DW 69750AU



Suitable for flat hood

5DA 36258AU

Fan module



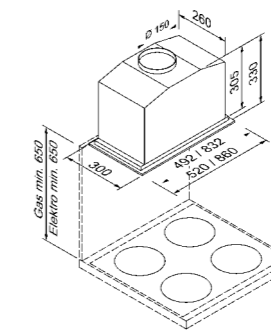
Suitable for flat hood

5DA 15260AU

5DA 15160AU

5DA 17260AU

5DA 17160AU



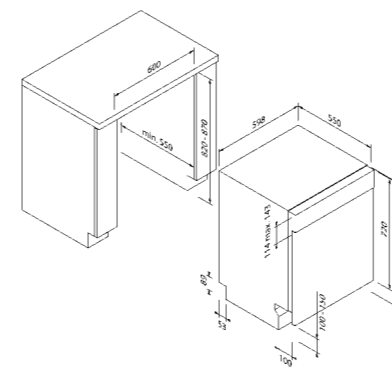
Suitable for fan module

5DA 45450AU

5DA 49450AU

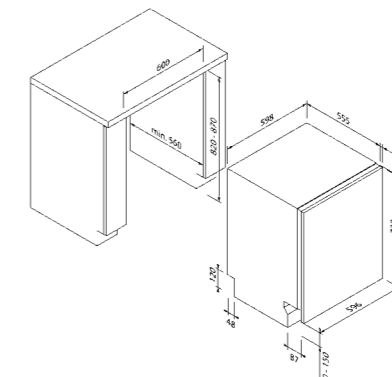
Downdraft

Dishwashers



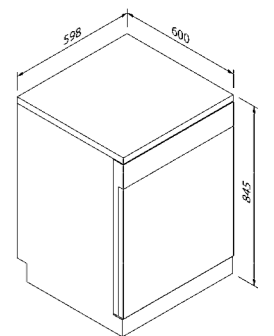
Suitable for dishwasher | fully integrated

5VI 311AU



Suitable for dishwasher | fully integrated

5VF 421AU



Suitable for dishwasher | free-standing

5VS 401AU

5VS 501AU

Heat | Air

**Smart slider**

An intuitive, simple control concept for all appliances – every setting can be perfectly selected with the Smart Slider.

**Touch Control**

Precise, innovative and very user-friendly: gently touching the Touch Control buttons is enough to select the desired setting.

**Automatic programmes**

One touch away from the perfect result: our automatic programmes are equipped for nearly every ingredient. Cooking can't get any easier.

**Soft Moving**

Thanks to its advanced dampers and hinges, the oven door can be opened and closed smoothly. Just a light pull/push and the door opens or closes gently.

**Steam cooking**

Cooking with hot steam is gentle to the food, promises maximum taste and a healthy approach to your cooking.

**Pyrolyse**

With a simple touch, all residues from baking, frying and grilling at high temperatures are reduced to ashes that can be simply wiped away with a cloth.

**Induction**

Immediately hot, immediately cold, and nothing gets burnt. The base of the pan is directly heated by the induction coil. The heat is only produced where it is needed. This means short heat-up times, more safety and much less energy consumption.

**Combi induction**

Two induction cooking zones can be combined together to create one single cooking zone, thereby allowing the use of very large pots and pans. Of course, the two large cooking zones can also be used separately.

**Multi Control**

The extractor fan hood and hob are intelligently linked. The extractor fan hood can be controlled separately using the hob control panel and automatically adjusts the fan power to the heat generated.

**LED**

The innovative LED lights of Blaupunkt extractor fan hoods ensure even more light on the hob. Another ray of hope: the long-lasting lights consume an extremely low amount of energy.

Water

**Cutlery drawer**

Thanks to the cutlery drawer, your cutlery can be optimally placed for the washing process. This guarantees optimal cleaning results.

**AquaStop**

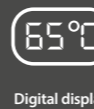
A lifelong warranty against water damage. The AquaStop safety system prevents all kinds of water damage – whether on the supply hose or due to a leak in the machine.

**Extra quiet**

More durable, efficient and particularly quieter motor.

**Vario basket**

The upper basket is height-adjustable and may be equipped with up to two racks depending on the model. The lower basket has two folding spine rows.

**Digital display**

A digital display gives you a good overview of the selected programme and the cycle time.

Service



By opting for Blaupunkt appliances, you have chosen a piece of premium kitchen equipment. Our professional service is available to assist you after the purchase. Our qualified employees are pleased to remain at your disposal. Our customer service experts for Blaupunkt integrated kitchen appliances will professionally answer all questions about the appliances. Here you can obtain all information on handling, functions and performance.

www.blaupunktau.com
www.blaupunkt-einbaugeraete.com

**Blaupunkt integrated kitchen appliances /
customer service, repair service, user
support, spare parts and accessories.**

**Tel.: 1800 252 878 658
1800 BLAUPUNKT**

customercare@blaupunktau.com



Register your new device on:
blaupunktau.com

Nikpol Pty Ltd

www.nikpol.com.au
1300 645 765
sales@nikpol.com.au

VIC
6 – 12 Fairchild Street
Heatherton VIC 3202

QLD
19 William Farrior Place
Eagle Farm QLD 4009

NSW
2 / 5 Bessemer Street
Blacktown NSW 2148