



5B30N0250

EG1225



Additional accessories available

Multi-use wire shelf

5Z36CR10X0

EG12333

Vario-Clip

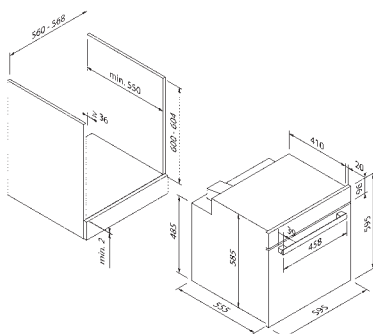
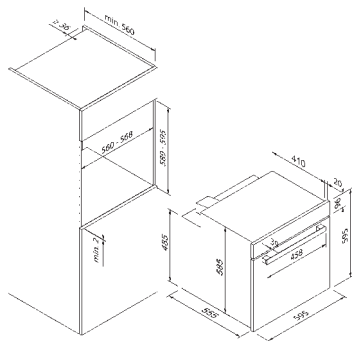
5Z 36VC50

EG12332

Universal pan (black)

5Z 36BA50

EG12331



Design	
Colour	Black
Operating modes & functions	
Number of heating types	8
Top / bottom heat	•/•
Hot air / Hot air Eco	•/•
Circulation	–
Circulation grill	•
Large area grill	•
Small area grill	•
Pizza level	–
Defrosting	•
Quick heating	•
Combination functions	–
Operating comfort & equipment	
Operation	Retractable control knob
Display / Colour	Digital / White
Door damping	–
Temperature recommendation	–
Temperature recommendation	•
Child lock	•
Cleaning	–
Water tank volume (in litres)	–
Cooking chamber capacity (in litres)	70

Accessories included**	
Accessories included**	Multi-use wire shelf, Enamelled baking tray, 1-way telescopic extension

Technical data	
Energy efficiency class	A
Connected load	3,0 kW / 220 - 240 V
Fuse protection (in A)	16 A
Frequency (in Hz)	50;60 Hz
Plug type	Type F
Length of connection cable (in cm)	100 cm
Net weight (in KG)	32 kg
Gross weight (in KG)	36 kg
Dimensions of the packaged appliance (H x W x D)	66,8 x 64,8 x 68,8 cm
Appliance dimensions (H x W x D)	59,5 x 59,5 x 57,5 cm
Installation dimensions (H x W x D)	59,0 x 56,0 x 55,0 cm
EAN	4251003108187

Note	
Note	