



5B50N8590
60cm built-in oven
Dark Steel / Glass

Performance, consumption

- Energy efficiency class: A+ - Voltage: 220-240V
- Total connected load: 2900W

Oven type, heating mode

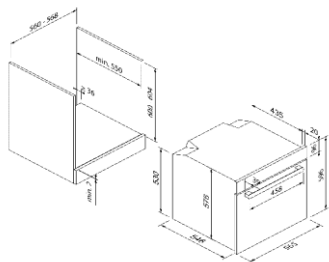
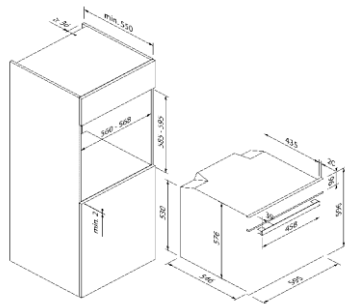
- Built-in electric oven with 12 heating modes
- top/bottom heat
- bottom heat
- hot air
- Hot air Eco
- convection
- convection grill
- Vario large surface grill
- Vario small surface grill
- Pizza level
- Defrost function
- ECO FUNCTION
- Dough guide

Design, Comfort

- Smart Slider
- Digital display (white LED)
- Full glass inner door
- Oven capacity: 72L
- Smooth oven walls with hanging grids
- Removable oven door for easy cleaning
- Oven lighting
- Damped door

Dimensions H x W x D

- Oven dimensions: 595 x 565 x 595 mm
- Installation dimensions: 590 x 560 x 550 mm
- Panel height 96 mm
- Unit dimensions (packed) 671 x 720 x 650 mm
- Net weight (kg): 32.0
- Gross weight (kg): 34.5



EAN-Nr.:4251003106176

Equipment features:

- Front color: stainless steel and black
- Type of construction: built-in
- Front panel material: stainless steel +glass
- Door material: stainless steel +glass
- Interior volume net (l): 72L
- Interior: Enameled
- Number of lights: 2
- Length connection cable (cm): 100

Consumption and connection values:

- energy consumption conventional heating (kWh): 1.06
- energy consumption convection/hot air (kWh): 0.69
- Electrical connected load (W): 2900
- Voltage (V): 220 - 240
- frequency (Hz): 50-60
- Plug type: Schuko
- Energy source: Electric
- Approval certificates: GS, CE

Accessories:

- 1 x enameled baking tray
- 1 x combination grill
- 1 x 1-fold telescopic pull-out (Vario Clip)

- Net weight (kg): 32.0
- Gross weight (kg): 34.5