

Built-in oven



5B50N8690

EG1253



Additional accessories available

Baking tray - Airfry

SZ50AF10E0

EG12651

Vario-Clip

SZ 50CU10E0

EG12643

Universal pan (grey)

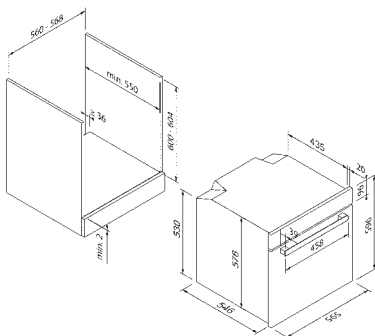
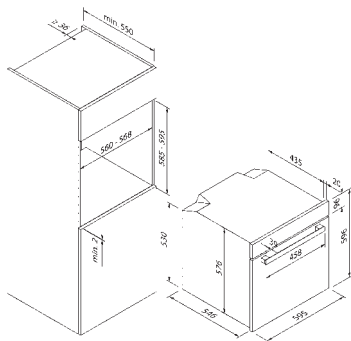
SZ 50CB10E0

EG12642

Multi-use wire shelf

SZ 50CR10X0

EG12641



Design	
Colour	Black / Dark Steel
Operating modes & functions	
Number of heating types	12
Top / bottom heat	•/•
Hot air / Hot air Eco	•/•
Circulation	•
Circulation grill	•
Large area grill	•
Small area grill	•
Pizza level	•
Defrosting	•
Quick heating	•
Combination functions	Airfry
Operating comfort & equipment	
Operation	Touch control with slider
Display / Colour	Digital / White
Door damping	•
Temperature recommendation	•
Temperature recommendation	•
Child lock	•
Cleaning	-
Water tank volume (in litres)	-
Cooking chamber capacity (in litres)	72

Accessories included**	
Accessories included**	Multi-use wire shelf, Enamelled baking tray, Airfry baking tray, Temperature probe, 1-way telescopic extension

Technical data	
Energy efficiency class	A+
Connected load	2,9 kW / 220 - 240 V
Fuse protection (in A)	16 A
Frequency (in Hz)	50;60 Hz
Plug type	Type F
Length of connection cable (in cm)	100 cm
Net weight (in KG)	31.5 kg
Gross weight (in KG)	35.6 kg
Dimensions of the packaged appliance (H x W x D)	67,1 x 72,0 x 65,0 cm
Appliance dimensions (H x W x D)	59,5 x 59,5 x 56,5 cm
Installation dimensions (H x W x D)	59,0 x 56,0 x 55,0 cm
EAN	4251003108170

Note	
Note	