



5B50N8690GB

EG1254



Additional accessories available

Universal pan (grey)

SZ 50CB10E0

EG12642

Baking tray - Airfry

SZ50AF10E0

EG12651

Multi-use wire shelf

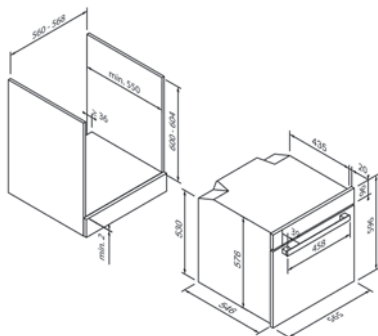
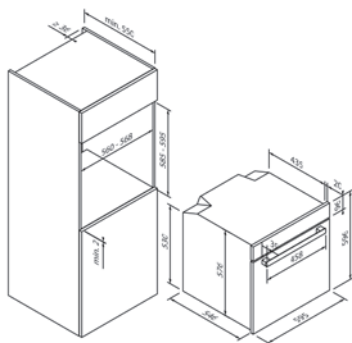
SZ 50CR10X0

EG12641

Vario-Clip

SZ 50CU10E0

EG12643



| Design | |
|--------------------------------------|---------------------------|
| Colour | Black/Dark Steel |
| Operating modes & functions | |
| Number of heating types | 12 |
| Top / bottom heat | •/• |
| Hot air / Hot air Eco | •/• |
| Circulation | • |
| Circulation grill | • |
| Large area grill | • |
| Small area grill | • |
| Pizza level | • |
| Defrosting | • |
| Quick heating | • |
| Combination functions | Airfry |
| Operating comfort & equipment | |
| Operation | Touch control with slider |
| Display / Colour | Digital / White |
| Door damping | • |
| Temperature recommendation | • |
| Temperature recommendation | • |
| Child lock | • |
| Cleaning | - |
| Water tank volume (in litres) | - |
| Cooking chamber capacity (in litres) | 72 |

| Accessories included** | |
|------------------------|--------------------|
| Accessories included** | Airfry baking tray |

| Technical data | |
|--|-----------------------|
| Energy efficiency class | A+ |
| Connected load | 2,9kW / 220 - 240 V |
| Fuse protection (in A) | 16 A |
| Frequency (in Hz) | 50-60 Hz |
| Plug type | - |
| Length of connection cable (in cm) | 100 cm |
| Net weight (in KG) | 31,5 kg |
| Gross weight (in KG) | 35,6 kg |
| Dimensions of the packaged appliance (H x W x D) | 67,1 x 72,0 x 65,0 cm |
| Appliance dimensions (H x W x D) | 59,5 x 59,5 x 56,5 cm |
| Installation dimensions (H x W x D) | 59,0 x 56,0 x 55,0 cm |
| EAN | 4251003108347 |

| Note | |
|------|--|
| Note | |