



5B50P8690GB

EG1266



### Additional accessories available

#### Universal pan (grey)

SZ 50CB10E0

EG12642

#### Baking tray - Airfry

SZ50AF10E0

EG12651

#### Multi-use wire shelf

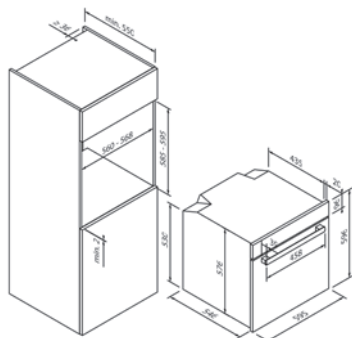
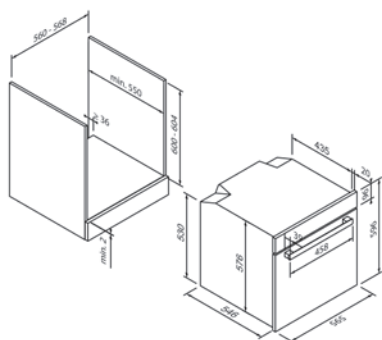
SZ 50CR10X0

EG12641

#### Vario-Clip

SZ 50CU10E0

EG12643



| Design                               |                           |
|--------------------------------------|---------------------------|
| Colour                               | Black/Dark Steel          |
| Operating modes & functions          |                           |
| Number of heating types              | 12                        |
| Top / bottom heat                    | •/•                       |
| Hot air / Hot air Eco                | •/•                       |
| Circulation                          | •                         |
| Circulation grill                    | •                         |
| Large area grill                     | •                         |
| Small area grill                     | •                         |
| Pizza level                          | •                         |
| Defrosting                           | •                         |
| Quick heating                        | •                         |
| Combination functions                | Airfry                    |
| Operating comfort & equipment        |                           |
| Operation                            | Touch control with slider |
| Display / Colour                     | Digital / White           |
| Door damping                         | •                         |
| Temperature recommendation           | •                         |
| Temperature recommendation           | •                         |
| Child lock                           | •                         |
| Cleaning                             | Pyrolytic                 |
| Water tank volume (in litres)        | -                         |
| Cooking chamber capacity (in litres) | 72                        |

| Accessories included** |                    |
|------------------------|--------------------|
| Accessories included** | Airfry baking tray |

| Technical data                                   |                       |
|--|-----------------------|
| Energy efficiency class                          | A+                    |
| Connected load                                   | 3,2kW / 220 - 240 V   |
| Fuse protection (in A)                           | 16 A                  |
| Frequency (in Hz)                                | 50-60 Hz              |
| Plug type  | -                     |
| Length of connection cable (in cm)               | 100 cm                |
| Net weight (in KG)                               | 42,3 kg               |
| Gross weight (in KG)                             | 44,2 kg               |
| Dimensions of the packaged appliance (H x W x D) | 67,1 x 72,0 x 65,0 cm |
| Appliance dimensions (H x W x D)                 | 59,5 x 59,5 x 56,5 cm |
| Installation dimensions (H x W x D)              | 59,0 x 56,0 x 55,0 cm |
| EAN  | 4251003108330         |

| Note |  |
|------|--|
| Note |  |