



5B60M8690

EG1280



Additional accessories available

Universal pan (black)

SZ 50CB10E1

EG12802

Multi-use wire shelf

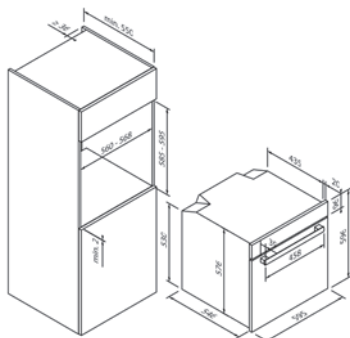
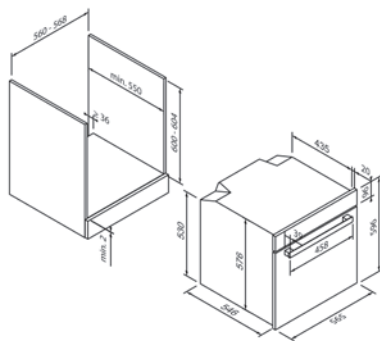
SZ 50CR10X1

EG12801

Glass dish

SZ 50CG10E0

EG15141



Design	
Colour	Black / Dark Steel
Operating modes & functions	
Number of heating types	12
Top / bottom heat	•/•
Hot air / Hot air Eco	•/–
Circulation	•
Circulation grill	•
Large area grill	•
Small area grill	•
Pizza level	•
Defrosting	•
Quick heating	•
Combination functions	800 W microwave with 5 power levels
Operating comfort & equipment	
Operation	Touch control with slider
Display / Colour	Digital / White
Door damping	–
Temperature recommendation	•
Temperature recommendation	•
Child lock	•
Cleaning	–
Water tank volume (in litres)	–
Cooking chamber capacity (in litres)	72

Accessories included**	
Accessories included**	Multi-use wire shelf, Enamelled baking tray

Technical data	
Energy efficiency class	–
Connected load	2,9 kW / 230 V
Fuse protection (in A)	12.5 A
Frequency (in Hz)	50 Hz
Plug type	Type F
Length of connection cable (in cm)	150 cm
Net weight (in KG)	45.35 kg
Gross weight (in KG)	49.32 kg
Dimensions of the packaged appliance (H x W x D)	67,1 x 72,0 x 65,0 cm
Appliance dimensions (H x W x D)	59,5 x 59,5 x 56,5 cm
Installation dimensions (H x W x D)	60,0 x 56,0 x 55,0 cm
EAN	4251003105018

Note	
Note	