



5B90S8990

EG1281



Additional accessories available

Temperature probe

SZ 50TE10E0

EG12811

Multi-use wire shelf

SZ 50CR10X0

EG12641

Vario-Clip

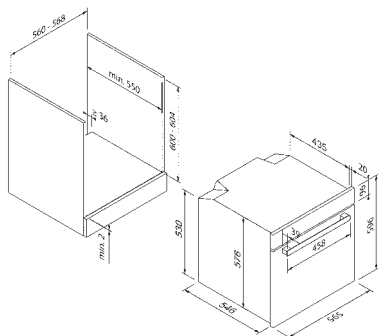
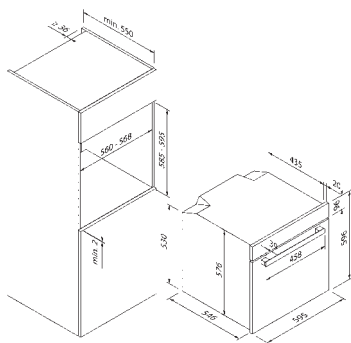
SZ 50CU10E0

EG12643

Universal pan (grey)

SZ 50CB10E0

EG12642



| Design | |
|--------------------------------------|----------------------------|
| Colour | Black / Dark Steel |
| Operating modes & functions | |
| Number of heating types | 12 |
| Top / bottom heat | •/• |
| Hot air / Hot air Eco | •/• |
| Circulation | • |
| Circulation grill | • |
| Large area grill | • |
| Small area grill | • |
| Pizza level | • |
| Defrosting | • |
| Quick heating | • |
| Combination functions | Steam assist, 3 programmes |
| Operating comfort & equipment | |
| Operation | Touch control with slider |
| Display / Colour | Digital / White |
| Door damping | • |
| Temperature recommendation | • |
| Temperature recommendation | • |
| Child lock | • |
| Cleaning | Descaling programme |
| Water tank volume (in litres) | 1 |
| Cooking chamber capacity (in litres) | 72 |

| Accessories included** | |
|------------------------|--|
| Accessories included** | Multi-use wire shelf, Enamelled baking tray, Temperature probe, 1-way telescopic extension |

| Technical data | |
|--|-----------------------|
| Energy efficiency class | A+ |
| Connected load | 3,15 kW / 220 – 240 V |
| Fuse protection (in A) | 13.7 A |
| Frequency (in Hz) | 50;60 Hz |
| Plug type | Type F |
| Length of connection cable (in cm) | 100 cm |
| Net weight (in KG) | 38.53 kg |
| Gross weight (in KG) | 42.3 kg |
| Dimensions of the packaged appliance (H x W x D) | 67,1 x 72,0 x 65,0 cm |
| Appliance dimensions (H x W x D) | 59,5 x 59,5 x 56,5 cm |
| Installation dimensions (H x W x D) | 60,0 x 56,0 x 55,0 cm |
| EAN | 4251003105025 |

| Note | |
|------|--|
| Note | |