



5B90S8990GB

EG1298



Additional accessories available

Temperature probe

SZ 50TE10E0

EG12811

Multi-use wire shelf

SZ 50CR10X1

EG12801

Vario-Clip

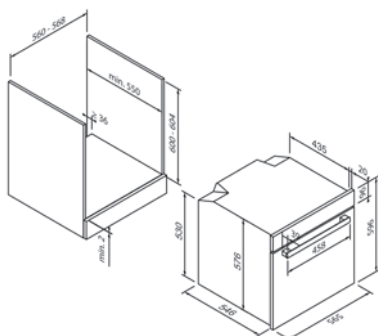
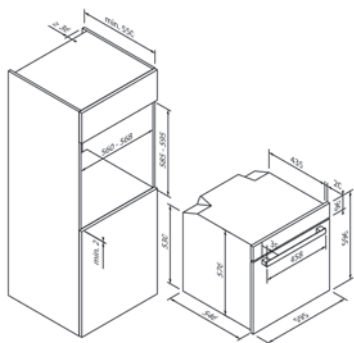
SZ 50CU10E0

EG12643

Universal pan (grey)

SZ 50CB10E0

EG12642



Design	
Colour	Black/Dark Steel
Operating modes & functions	
Number of heating types	12
Top/bottom heat	•/•
Hot air/Hot air Eco	•/•
Circulation	•
Circulation grill	•
Large area grill	•
Small area grill	•
Pizza level	•
Defrosting	•
Quick heating	•
Combination functions	Steam assist, 3 programmes
Operating comfort & equipment	
Operation	Touch control with slider
Display/Colour	Digital/White
Door damping	•
Temperature recommendation	•
Temperature recommendation	•
Child lock	•
Cleaning	Descaling programme
Water tank volume (in litres)	1
Cooking chamber capacity (in litres)	72

Accessories included**	
Accessories included**	Multi-use wire shelf, Enamelled baking tray, Temperature probe, 1-way telescopic extension

Technical data	
Energy efficiency class	A+
Connected load	3,15 kW/220 – 240 V
Fuse protection (in A)	16 A
Frequency (in Hz)	50-60 Hz
Plug type	-
Length of connection cable (in cm)	100 cm
Net weight (in KG)	38,53 kg
Gross weight (in KG)	42,3 kg
Dimensions of the packaged appliance (H x W x D)	67,1 x 72,0 x 65,0 cm
Appliance dimensions (H x W x D)	59,5 x 59,5 x 56,5 cm
Installation dimensions (H x W x D)	59,0 x 56,0 x 55,0 cm
EAN	4251003105841

Note	
Note	