



5BC11150 brushed steel
built-in/under single oven



5BC11150 Stainless steel

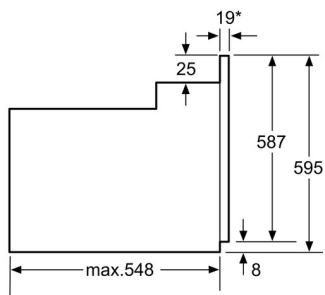
- heating system multifunction (2 heating modes: Top heat, Top/bottom heat)
 - Temperature range 50 °C - 250 °C
 - Cavity volume: 71 l
 - Full glass inner door
 - Enamelled cavity (brown)
 - Oven cavity with removable rack supports
 - 1 x combination grid, 1 x universal pan
 - Integral cooling fan
 - Removable oven door for easy-cleaning
 - Oven interior light
 - Removable oven door for easy-cleaning
 - Total connected load electric: 2.6 KW
 - Appliance dimension (h x w x d): 595 mm x 595 mm x 548 mm
 - Cable with plug (1.00 m)
 - Energy efficiency rating (acc. EU Nr. 65/2014): A
- Energy consumption per cycle in conventional mode: 0.9 kWh
Number of cavities: 1
Heat source: electrical
Cavity volume: 71 l

Optional accessories

- 5Z11BA11 Alu baking tray
- 5Z11BE11 Enamel baking tray
- 5Z11BU11 Universal pan
- 5Z11KR11 Combination grid

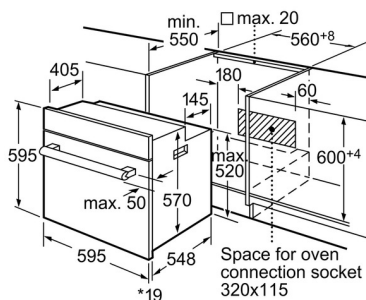
4251003100846

5BC11150 brushed steel built-in/under single oven



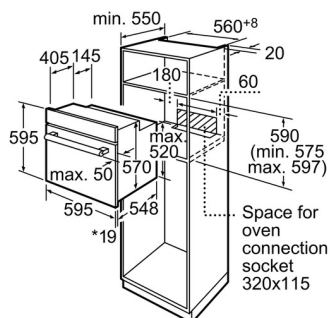
* 20 mm for metal fascias

Dimensions in mm



* 20 mm for metal fascias

Measurements in mm



* 20 mm for metal fascias

Measurements in mm

Characteristics

Color / Material Front: Stainless steel

Built-in / Free-standing: Built-in

Integrated Cleaning system: No

Required niche size for installation (HxWxD): 575-597 x 560 x 550

Dimensions of the product (mm): 595 x 595 x 548

Control Panel Material: Metal

Door Material: Glass

Net weight (kg): 28.0

Usable volume of cavity (l): 71

Cooking method: Conventional heat, Top heat

First cavity material: Enamelled

Temperature control: mechanical

Number of interior lights: 1

Approval certificates: CE, KEMA

Length electrical supply cord (cm): 100

Interior Lights - cavity 1: 1

Pull-out system: Not available

Included accessories cavity 1: 1 x combination grid, 1 x universal pan

Consumption and connection features

Energy consumption conventional (kWh) - cavity 1: 0.89

Energy consumption forced air convection (kWh) - cavity 1:

Electrical connection rating (W): 2600

Current (A): 13

Voltage (V): 220-240

Frequency (Hz): 50; 60

Plug type: GARDY plug w/ earthing

Universal Product Code:

Color / Material Front: Stainless steel

Alternative colors available:

Energy input: Electric

Approval certificates: CE, KEMA

Length of electrical supply cord (in):

Required cutout/niche size for installation (in): x x

Dimensions of the packed product (in): 25.98 x 25.39 x 26.77

Net weight (lbs): 63

Gross weight (lbs): 67

Length electrical supply cord (cm): 100

Required niche size for installation (HxWxD): 575-597 x 560 x 550

Dimensions of the product (mm): 595 x 595 x 548

Net weight (kg): 28.0

Gross weight (kg): 31.0

2016-09-02