



5BC31150 brushed steel
built-in/under single oven



5BC31150 Stainless steel

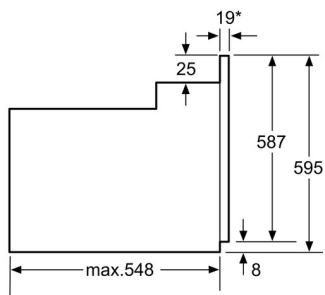
- heating system multifunction (6 heating modes: Hot air grilling, Bottom heat, Top/bottom heat, Circulating Air, Half width variable grill, Full width variable grill)
- Temperature range 50 °C - 270 °C
- Cavity volume: 66 l
- Interior lighting
- Full glass inner door
- Enamelled cavity (brown)
- Oven cavity with removable rack supports
- 1 x combination grid, 1 x universal pan
- Integral cooling fan
- Removable oven door for easy-cleaning
- Total connected load electric: 2.8 KW
- Appliance dimension (hxxwx): 595 mm x 595 mm x 548 mm
- Cable with plug (1.00 m)
- Energy efficiency rating (acc. EU Nr. 65/2014):
Energy consumption per cycle in conventional mode: 0.96 kwh
Energy consumption per cycle in fan-forced convection mode: 0.88 kwh
Number of cavities: 1
Heat source: electrical
Cavity volume: 66 l

Optional accessories

- 5Z11BA11 Alu baking tray
- 5Z11BE11 Enamel baking tray
- 5Z11BU11 Universal pan
- 5Z11KR11 Combination grid

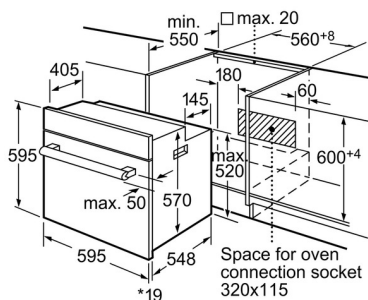
4251003100853

5BC31150 brushed steel built-in/under single oven



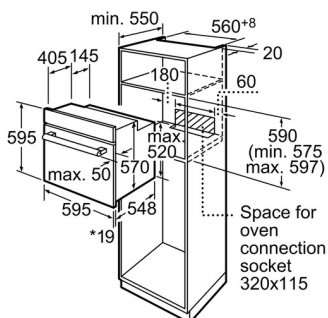
* 20 mm for metal fascias

Dimensions in mm



* 20 mm for metal fascias

Measurements in mm



* 20 mm for metal fascias

Measurements in mm

Characteristics

Color / Material Front: Stainless steel
 Built-in / Free-standing: Built-in
 Integrated Cleaning system: No
 Required niche size for installation (HxWxD): 575-597 x 560 x 550
 Dimensions of the product (mm): 595 x 595 x 548
 Control Panel Material: Metal
 Door Material: Glass
 Net weight (kg): 30.0
 Usable volume of cavity (l): 66
 Cooking method: Bottom heat, Circulating air, Conventional heat,
 Full width variable grill, Half width variable grill, Hot air grilling
 First cavity material: Enamelled
 Temperature control: mechanical
 Number of interior lights: 1
 Approval certificates: CE, KEMA
 Length electrical supply cord (cm): 100
 Interior Lights - cavity 1: 1
 Pull-out system: Not available
 Included accessories cavity 1: 1 x combination grid, 1 x universal pan
 Broil Element Wattages cavity 1 (W): 2800

Consumption and connection features

Energy consumption conventional (kWh) - cavity 1: 0.89
 Energy consumption forced air convection (kWh) - cavity 1: 0.89
 Electrical connection rating (W): 2800
 Current (A): 13
 Voltage (V): 220-240
 Frequency (Hz): 50; 60
 Plug type: GARDY plug w/ earthing
 Universal Product Code:
 Color / Material Front: Stainless steel
 Alternative colors available:
 Energy input: Electric
 Approval certificates: CE, KEMA
 Length of electrical supply cord (in):
 Required cutout/niche size for installation (in): x x
 Dimensions of the packed product (in): 26.37 x 25.59 x 26.77
 Net weight (lbs): 66
 Gross weight (lbs): 71
 Length electrical supply cord (cm): 100
 Required niche size for installation (HxWxD): 575-597 x 560 x 550
 Dimensions of the product (mm): 595 x 595 x 548
 Net weight (kg): 30.0
 Gross weight (kg): 32.0

2016-09-02