



5BD36550 brushed steel
Built-in single oven



5BD36550 Stainless steel

- heating system multifunction (8 heating modes: Hot air grilling, Bottom heat, Pizza setting, Top/bottom heat, 3D Hot air plus, Hotair Eco, Full width variable grill, Half width variable grill)
- Temperature range 50 °C - 270 °C
- Electronic clock
- Fast heat
- Automatic switch off
- Automatic temperature suggestion
- Retractable controls
- Cavity volume: 57 l
- Interior lighting
- Cavity inner surface: Enamel
- Pyrolytic self-cleaning function
- Cavity with shelf support rails, Telescopic slide-out Accessory
- 1 x enamel baking tray, suit. pyrol. clean., 1 x combination grid, 1 x universal pan, suit. pyrol. clean.
- Integral cooling fan
- Full glass inner door
- Removable oven door for easy-cleaning
- Total connected load electric: 3.58 kW
- Appliance dimension (hxwx): 595 mm x 595 mm x 515 mm
- Cable with plug (0.95 m)
- Energy efficiency rating A

Optional accessories

5Z11TA13 3 level telescopic shelf rails

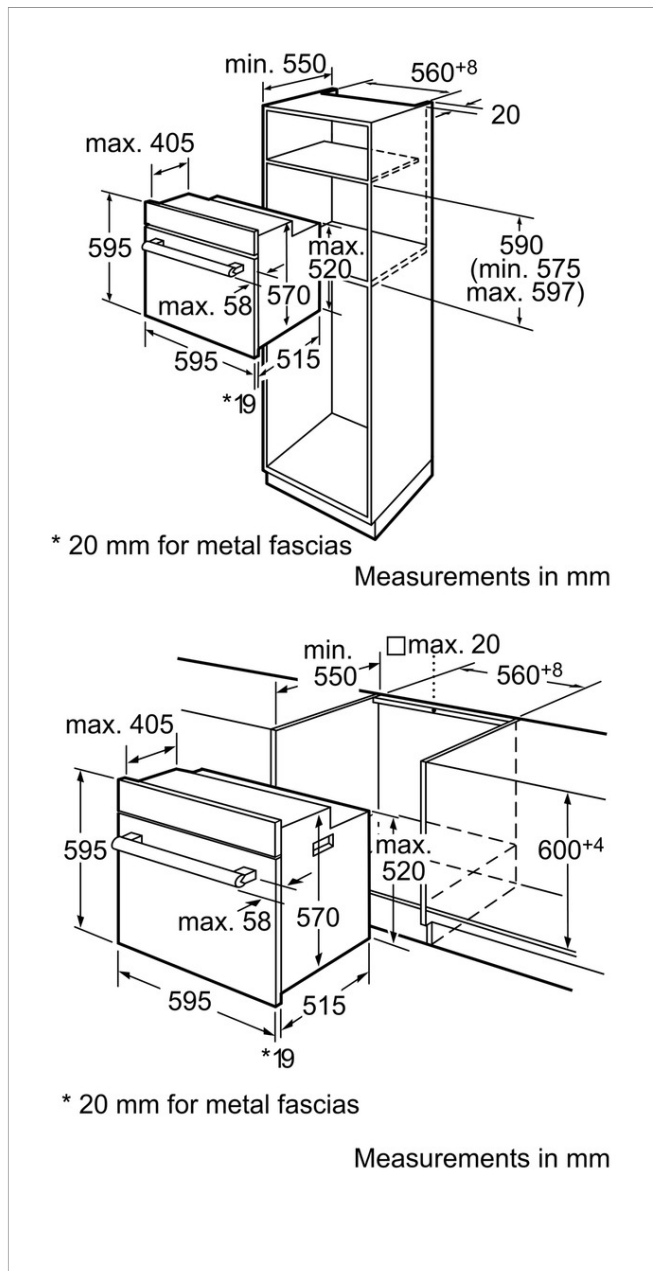
5Z1242X1 Multipurpose tray

5Z1342X0 Enamelled baking tray

5Z4132X1 Wire shelf

4251003100105

5BD36550 brushed steel Built-in single oven



Characteristics

Color / Material Front: Stainless steel
 Built-in / Free-standing: Built-in
 Integrated Cleaning system: Pyrolytic
 Required niche size for installation (HxWxD): 575-597 x 560 x 550
 Dimensions of the product (mm): 595 x 595 x 515
 Control Panel Material: Stainless steel
 Door Material: Glass
 Net weight (kg): 31.0
 Usable volume of cavity (l): 57
 Cooking method: Bottom heat, Conventional heat, Full width variable grill, Half width variable grill, Hot Air, Hot Air-Eco, Hot air grilling, Pizza setting
 First cavity material: Enamelled
 Temperature control: electronic
 Number of interior lights: 1
 Approval certificates: AENOR, CE
 Length electrical supply cord (cm): 95
 Interior Lights - cavity 1: 1
 Pull-out system: Accessory
 Clock function: Alarm, Off, On
 Included accessories cavity 1: 1 x enamel baking tray, suit. pyrolytic clean, 1 x combination grid, 1 x universal pan, suit. pyrol. clean.
 Broil Element Wattages cavity 1 (W): 2300

Consumption and connection features

Energy consumption conventional (kWh) - cavity 1: 0.91
 Energy consumption forced air convection (kWh) - cavity 1: 0.71
 Electrical connection rating (W): 3580
 Current (A): 16
 Voltage (V): 220-240
 Frequency (Hz): 60; 50
 Plug type: GARDY plug w/ earthing
 Universal Product Code:
 Color / Material Front: Stainless steel
 Alternative colors available:
 Energy input: Electric
 Approval certificates: AENOR, CE
 Length of electrical supply cord (in):
 Required cutout/niche size for installation (in): x x
 Dimensions of the packed product (in): 26.18 x 24.99 x 24.99
 Net weight (lbs): 67
 Gross weight (lbs): 74
 Length electrical supply cord (cm): 95
 Required niche size for installation (HxWxD): 575-597 x 560 x 550
 Dimensions of the product (mm): 595 x 595 x 515
 Net weight (kg): 31.0
 Gross weight (kg): 34.0

2016-09-02