



5CD33150

Electric compact built-in oven

Stainless steel



#### **5CD33150 Stainless steel**

- Shelf support rails
- Multifunction oven with 8 operation modes
- Round light
- Bar handle
- Enamel crystalgrey
- Full glass inner door
- Cooling fan
- Control panel Stainless steel
- Retractable controls
- Electronic control: mechanical
- Operating light
- Energy efficiency rating A

#### **Optional accessories**

5Z11TA15 ACCESSORIES COOKER/OVEN

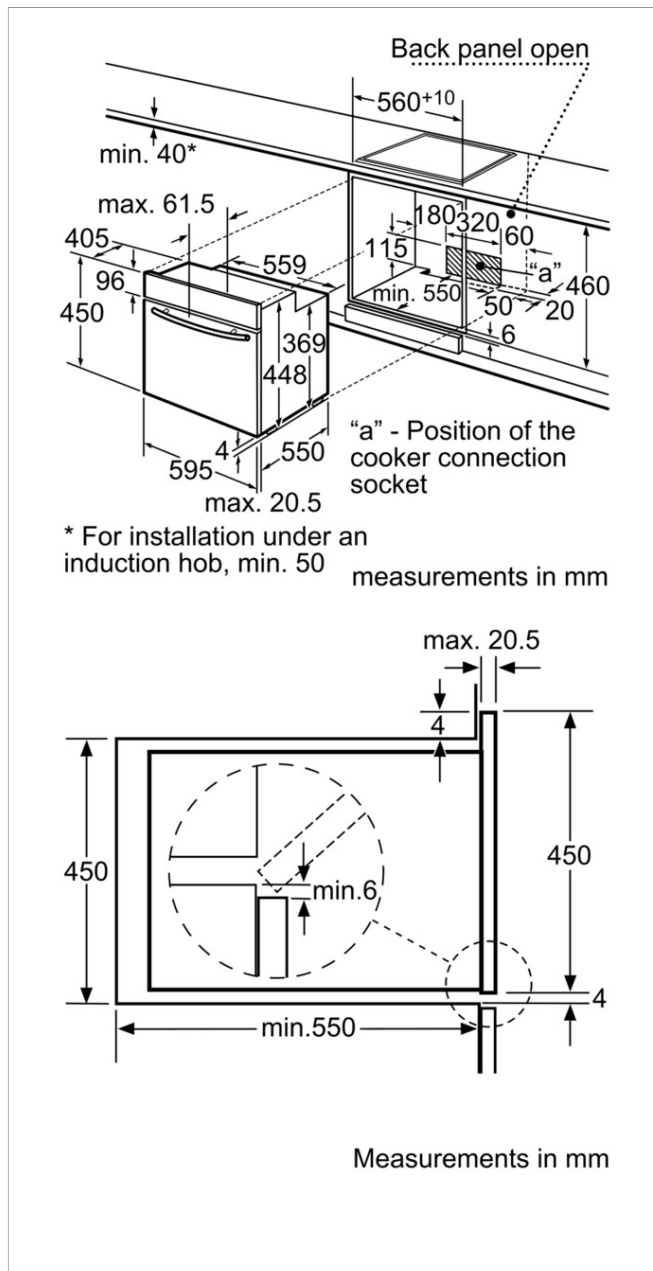
5Z1243X1 Accessory

5Z1343X1 Accessory

4251003100884

## 5CD33150

### Electric compact built-in oven Stainless steel



#### Characteristics

Color / Material Front: Stainless steel  
 Built-in / Free-standing: Built-in  
 Integrated Cleaning system: No  
 Required niche size for installation (HxWxD): 450 x 560 x 550  
 Dimensions of the product (mm): 454 x 595 x 550  
 Control Panel Material: Stainless steel  
 Door Material: Glass  
 Net weight (kg): 28.0  
 Usable volume of cavity (l): 50  
 Cooking method: Bottom heat, Conventional heat, Defrost, Full width grill, Half width grill, Hot Air, Pizza setting, Thermo grill  
 First cavity material: Enamelled  
 Temperature control: mechanical  
 Number of interior lights: 1  
 Approval certificates: CE, VDE  
 Length electrical supply cord (cm): 150  
 Interior Lights - cavity 1: 1  
 Pull-out system: Accessory  
 Included accessories cavity 1: 1 x baking and roasting shelf cranked, 1 x enamel baking tray  
 Broil Element Wattages cavity 1 (W): 2000

#### Consumption and connection features

Energy consumption conventional (kWh) - cavity 1: 0.89  
 Energy consumption forced air convection (kWh) - cavity 1: 0.79  
 Electrical connection rating (W): 2800  
 Current (A): 16  
 Voltage (V): 220-230  
 Frequency (Hz): 50  
 Plug type: Gardy plug w/ earthing  
 Universal Product Code:  
 Color / Material Front: Stainless steel  
 Alternative colors available:  
 Energy input: Electric  
 Approval certificates: CE, VDE  
 Length of electrical supply cord (in):  
 Required cutout/niche size for installation (in): x x  
 Dimensions of the packed product (in): 20.47 x 25.98 x 27.16  
 Net weight (lbs): 62  
 Gross weight (lbs): 68  
 Length electrical supply cord (cm): 150  
 Required niche size for installation (HxWxD): 450 x 560 x 550  
 Dimensions of the product (mm): 454 x 595 x 550  
 Net weight (kg): 28.0  
 Gross weight (kg): 31.0

2016-09-02