



5HC11150 brushed steel
Built-under cooker



5HC11150 Stainless steel

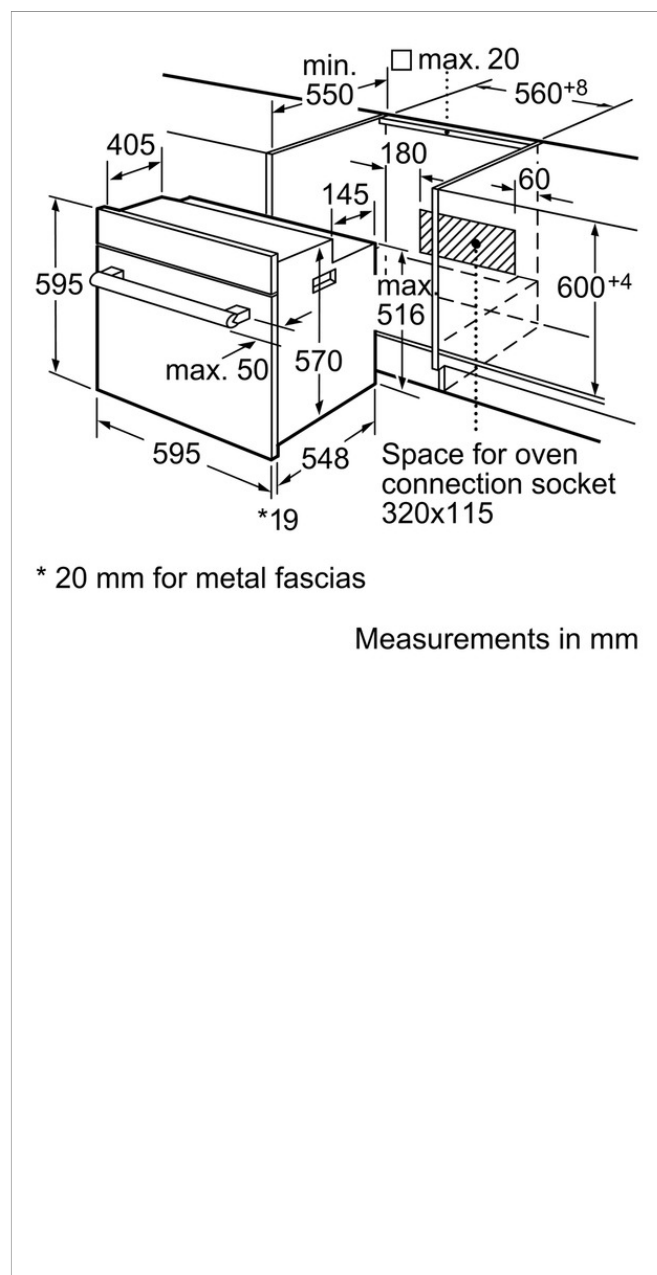
- conventional Built-in Cooker (2 heating modes: Top heat, Top/bottom heat)
 - Temperature range 50 °C - 250 °C
 - infinitely adjustable cooking zones
 - Cavity volume: 71 l
 - Interior lighting
 - Full glass inner door
 - Enamelled cavity (brown)
 - Oven cavity with removable rack supports
 - 1 x combination grid, 1 x universal pan
 - Integral cooling fan
 - Removable oven door for easy-cleaning
 - Total connected load electric: 10.4 KW
 - Appliance dimension (hxwx): 595 mm x 595 mm x 548 mm
 - Energy efficiency rating (acc. EU Nr. 65/2014): A
- Energy consumption per cycle in conventional mode: 0.9 kWh
Number of cavities: 1
Heat source: electrical
Cavity volume: 71 l

Optional accessories

- 5Z11BA11 Alu baking tray
- 5Z11BE11 Enamel baking tray
- 5Z11BU11 Universal pan
- 5Z11KR11 Combination grid

4251003100808

5HC11150 brushed steel Built-under cooker



Characteristics

Color / Material Front: Stainless steel
 Built-in / Free-standing: Built-in
 Integrated Cleaning system: No
 Required niche size for installation (HxWxD): 600 x 560 x 550
 Dimensions of the product (mm): 595 x 595 x 548
 Control Panel Material: Metal
 Door Material: Glass
 Net weight (kg): 29.0
 Usable volume of cavity (l): 71
 Cooking method: Conventional heat, Top heat
 First cavity material: Enamelled
 Temperature control: mechanical
 Number of interior lights: 1
 Approval certificates: CE, KEMA
 Interior Lights - cavity 1: 1
 Pull-out system: Not available
 Included accessories cavity 1: 1 x combination grid, 1 x universal pan

Consumption and connection features

Energy consumption conventional (kWh) - cavity 1: 0.89
 Energy consumption forced air convection (kWh) - cavity 1:
 Electrical connection rating (W): 10400
 Current (A): 3*16
 Voltage (V): 220-240
 Frequency (Hz): 60; 50
 Plug type: fixed connection, no plug
 Universal Product Code:
 Color / Material Front: Stainless steel
 Alternative colors available:
 Energy input: Electric
 Approval certificates: CE, KEMA
 Length of electrical supply cord (in):
 Required cutout/niche size for installation (in): x x
 Dimensions of the packed product (in): 26.22 x 25.59 x 26.77
 Net weight (lbs): 63
 Gross weight (lbs): 68
 Length electrical supply cord (cm):
 Required niche size for installation (HxWxD): 600 x 560 x 550
 Dimensions of the product (mm): 595 x 595 x 548
 Net weight (kg): 29.0
 Gross weight (kg): 31.0

2016-09-02