



5HC31150 brushed steel  
built-in/under single oven



#### 5HC31150 Stainless steel

- heating system multifunction (4 heating modes: Top/bottom heat, Hot air grilling, Circulating Air, Full width variable grill)
- Temperature range 50 °C - 270 °C
- infinitely adjustable cooking zones
- Cavity volume: 66 l
- Interior lighting
- Full glass inner door
- Enamelled cavity (brown)
- Oven cavity with removable rack supports
- 1 x combination grid, 1 x universal pan
- Integral cooling fan
- Removable oven door for easy-cleaning
- Total connected load electric: 10.6 KW
- Appliance dimension (h x w x d): 595 mm x 595 mm x 548 mm
- Energy efficiency rating (acc. EU Nr. 65/2014):

Energy consumption per cycle in conventional mode: 0.96 kwh

Energy consumption per cycle in fan-forced convection mode: 0.88 kwh

Number of cavities: 1

Heat source: electrical

Cavity volume: 66 l

#### Optional accessories

5Z11BA11 Alu baking tray

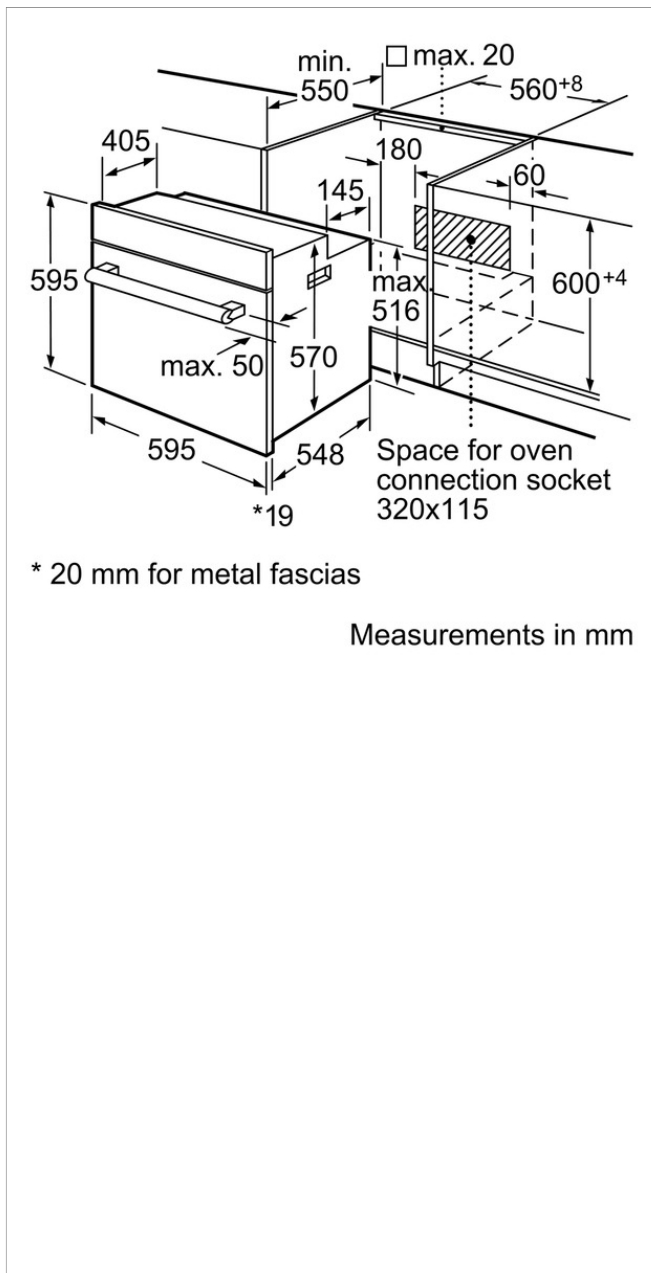
5Z11BE11 Enamel baking tray

5Z11BU11 Universal pan

5Z11KR11 Combination grid

4251003100815

## 5HC31150 brushed steel built-in/under single oven



### Characteristics

Color / Material Front: Stainless steel  
 Built-in / Free-standing: Built-in  
 Integrated Cleaning system: No  
 Required niche size for installation (HxWxD): 600 x 560 x 550  
 Dimensions of the product (mm): 595 x 595 x 548  
 Control Panel Material: Metal  
 Door Material: Glass  
 Net weight (kg): 30.0  
 Usable volume of cavity (l): 66  
 Cooking method: Circulating air, Conventional heat, Full width variable grill, Hot air grilling  
 First cavity material: Enamelled  
 Temperature control: mechanical  
 Number of interior lights: 1  
 Approval certificates: CE, KEMA  
 Interior Lights - cavity 1: 1  
 Pull-out system: Not available  
 Included accessories cavity 1: 1 x combination grid, 1 x universal pan  
 Broil Element Wattages cavity 1 (W): 2800

### Consumption and connection features

Energy consumption conventional (kWh) - cavity 1: 0.89  
 Energy consumption forced air convection (kWh) - cavity 1: 0.89  
 Electrical connection rating (W): 10600  
 Current (A): 3\*16  
 Voltage (V): 220-240  
 Frequency (Hz): 50; 60  
 Plug type: fixed connection, no plug  
 Universal Product Code:  
 Color / Material Front: Stainless steel  
 Alternative colors available:  
 Energy input: Electric  
 Approval certificates: CE, KEMA  
 Length of electrical supply cord (in):  
 Required cutout/niche size for installation (in): x x  
 Dimensions of the packed product (in): 25.98 x 25.39 x 26.77  
 Net weight (lbs): 66  
 Gross weight (lbs): 71  
 Length electrical supply cord (cm):  
 Required niche size for installation (HxWxD): 600 x 560 x 550  
 Dimensions of the product (mm): 595 x 595 x 548  
 Net weight (kg): 30.0  
 Gross weight (kg): 32.0