



**5RC92490AU**  
**Freestanding Range Cooker**  
**Stainless steel & glass**

**Output, consumption**

- Energy efficiency class: A
- Voltage: 220-240V
- Total connected load: cooktop 11.1kW; oven 2.94kW

**Cooktop type, power**

- Gas cooktop
- 5 SABAF burners with power:
  - Central: 3.6kW
  - Front left: 3.0kW
  - Rear left: 1.75kW
  - Front right: 1.0kW
  - Rear right: 1.75kW

**Oven type, heating type**

- Built-in electric oven with 8 heating types:
  - Convection
  - Bottom heat
  - Conventional
  - Conventional with fan
  - Grill
  - Double grill
  - Double grill with fan
  - Defrost

**Environment/comfort**

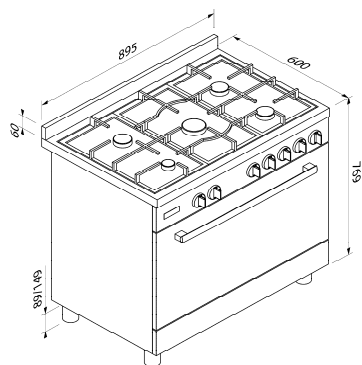
- Mechanical control with digital timer
- Full glass inner door
- Enamelled cooking chamber
- Cooking chamber volume: 109L
- Smooth oven walls with suspended grates
- Removable oven door for easy cleaning
- Oven lighting

**Accessories**

- Enamelled baking tray
- Combination grate
- Rotisserie spit

**Technical data and dimensions**

- Appliance dimensions: 895 x 600 x 769 mm
- dimensions for this device in accordance with the technical drawing"



EAN: 4251003107456

**Characteristics:**

- Front color: stainless steel + glass
- Type: freestanding
- Dimensions of the device (mm): 895 x 600 x 769
- Material of the panel: stainless steel
- Material of the door: glass
- Net weight (kg): 79.0
- Net volume - oven 1 (l): 109L
- Heating modes: Convection, Bottom heat, Conventional, Convectional with fan, Grill, Double grill, Double grill with fan, Defrost
- Material oven: enamel
- Number of built-in lights: 2
- Length of connection cable (cm): 100
- Interior lighting - oven 1: 2
- Integrated accessories: 1 x combination grate, 1 x baking tray, 1 x rotisserie spit

**Consumption and connection features**

- Gas cooktop
- 5 SABAF burners with power:
  - Central: 3.6kW
  - Front left: 3.0kW
  - Rear left: 1.75kW
  - Front right: 1.0kW
  - Rear right: 1.75kW
- Energy consumption conventional heating - oven 1 (kWh): 1.31
- Energy consumption convection/hot air - oven 1 (kWh): 1.20
- Hedging (A): 12.8 at 230V
- Voltage (V): 220-240
- Frequency (Hz): 50-60
- Plug type: SAA plug
- Front color: glass
- Energy source: Gas hob & electric oven
- Approval certificates: CE, CB, SAA
- Length of power cable (cm): 100
- Dimensions of the device (mm): 895 x 600 x 769
- Net weight (kg): 79.0
- Gross weight (kg): 86.0