



Instructions for installation and use


Cooker Hood
5DA36258AU


INDEX

AU

SAFETY INFORMATION	3
CHARACTERISTICS	6
INSTALLATION	7
USE	9
CARE AND CLEANING	10

SAFETY INFORMATION

 For your safety and correct operation of the appliance, read this manual carefully before installation and use. Always keep these instructions with the appliance even if you move or sell it. Users must fully know the operation and safety features of the appliance.

 The wire connection has to be done by specialized technician.

- The manufacturer will not be held liable for any damages resulting from incorrect or improper installation.
- The minimum safety distance between the cooker top and the extractor hood is 650 mm (some models can be installed at a lower height, please refer to the paragraphs on working dimensions and installation).
- If the instructions for installation for the gas hob specify a greater distance, this must be respected.
- Check that the mains voltage corresponds to that indicated on the rating plate fixed to the inside of the hood.
- Means for disconnection must be incorporated in the fixed wiring in accordance with the wiring rules.
- For Class I appliances, check that the domestic power supply guarantees adequate earthing.
- Connect the extractor to the exhaust flue through a pipe of minimum diameter 120 mm. The route of the flue must be as short as possible.
- Regulations concerning the discharge of air have to be fulfilled.
- Do not connect the extractor hood to exhaust ducts carrying combustion fumes (boilers, fireplaces, etc.).

- If the extractor is used in conjunction with non-electrical appliances (e.g. gas burning appliances), a sufficient degree of aeration must be guaranteed in the room in order to prevent the backflow of exhaust gas. When the cooker hood is used in conjunction with appliances supplied with energy other than electric, the negative pressure in the room must not exceed 0,04 mbar to prevent fumes being drawn back into the room by the cooker hood.
- The air must not be discharged into a flue that is used for exhausting fumes from appliances burning gas or other fuels.
- If the supply cord is damaged, it must be replaced from the manufacturer or its service agent.
- Connect the plug to a socket complying with current regulations, located in an accessible place.
- With regards to the technical and safety measures to be adopted for fume discharging it is important to closely follow the regulations provided by the local authorities.


⚠ WARNING: Before installing the Hood, remove the protective films.

- Use only screws and small parts in support of the hood.


⚠ WARNING: Failure to install the screws or fixing device in accordance with these instructions may result in electrical hazards.

- Do not look directly at the light through optical devices (binoculars, magnifying glasses...).
- Do not flambè under the range hood; risk of fire.
- This appliance can be used by children aged from 8 years and above and persons with reduced physical, sensory or mental capabilities or lack of experience and knowledge if they have been given supervision or instruction concerning use of the appliance in a safe way and understand the hazards involved. Children shall not play with the appliance. Cleaning and user maintenance shall not be made by children without supervision.
- Children should be supervised to ensure that they do not play with the appliance.

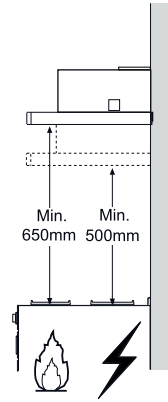
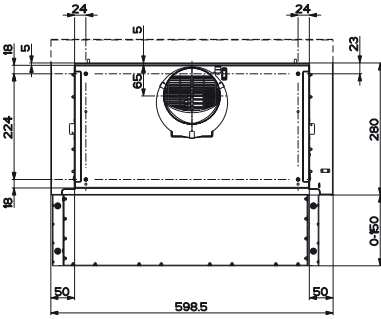
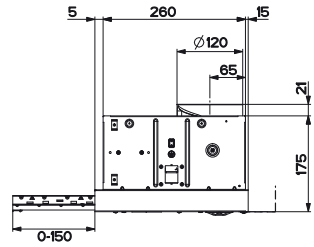
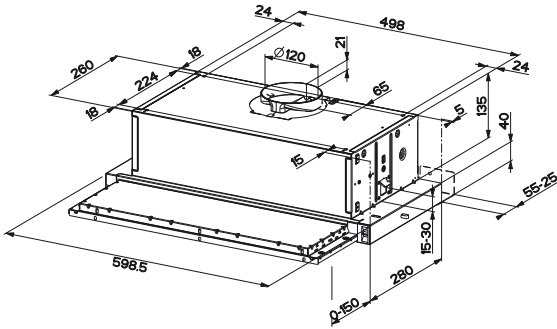
- The appliance is not to be used by persons (including children) with reduced physical, sensory or mental capabilities, or lack of experience and knowledge, unless they have been given supervision or instruction.

 Accessible parts may become hot when used with cooking appliances.

- Clean and/or replace the Filters after the specified time period (Fire hazard). See paragraph Care and Cleaning.
- There shall be adequate ventilation of the room when the range hood is used at the same time as appliances burning gas or other fuels (not applicable to appliances that only discharge the air back into the room).

- The symbol  on the product or on its packaging indicates that this product may not be treated as household waste. Instead it shall be handed over to the applicable collection point for the recycling of electrical and electronic equipment. By ensuring this product is disposed of correctly, you will help prevent potential negative consequences for the environment and human health, which could otherwise be caused by inappropriate waste handling of this product. For more detailed information about recycling of this product, please contact your local city office, your household waste disposal service or the shop where you purchased the product.

CHARACTERISTICS

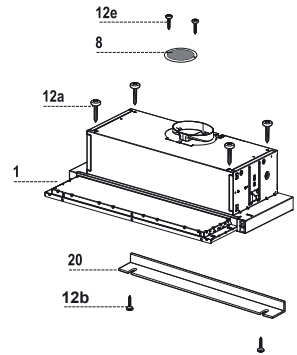


Components

Ref.	Q.ty	Product Components
1	1	Hood Body, complete with: Controls, Light, Blower, Filters
8	1	Directional Air Outlet grille
20	1	Closing element

Ref.	Q.ty	Installation Components
12a	4	Screws 4,2 x 44,4
12b	2	Screws 4,2 x 12
12e	2	Screws 2,9 x 9,5

Q.ty	Documentation
1	Instruction Manual

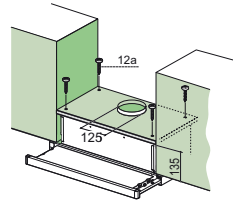


INSTALLATION

Drilling the Support surface and Fitting the Hood

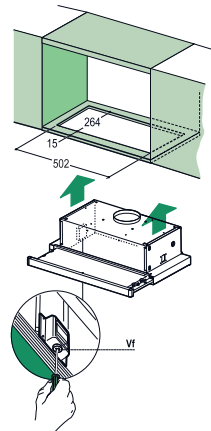
SCREW FITTING

- The hood support surface must be 135 mm above the bottom surface of the wall units.
- Drill the support with a $\varnothing 4,5$ mm drill bit, using the drilling template provided.
- Cut a hole $\varnothing 125$ mm in size on the support surface, using the drilling template provided.
- Fix using the 4 screws **12a** (4,2 x 44,4) provided.



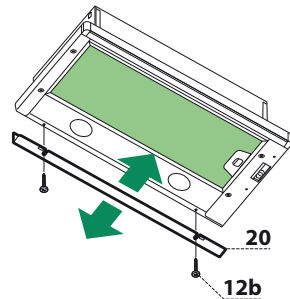
SNAP-ON FITTING

- The hood can be installed either directly on the bottom surface of the wall units using snap-on side supports.
- Cut a fitted opening in the bottom surface of the wall unit, as shown.
- Insert the hood until the side supports snap into place.
- Lock in position by tightening the screws **Vf** from underneath the hood.



CLOSING ELEMENT

- The space between the edge of the hood and the rear wall can be closed by applying the element **20** provided, using the screws **12b**.

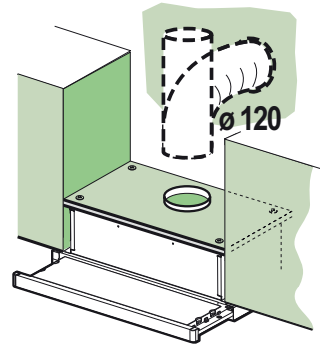


Connections

DUCTED VERSION AIR EXHAUST SYSTEM

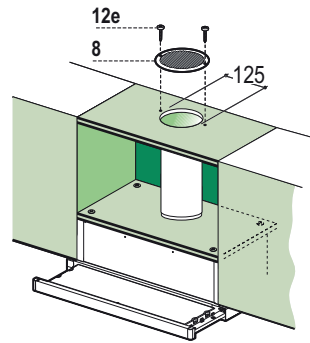
When installing the ducted version, connect the hood to the chimney using either a flexible or rigid pipe $\varnothing 120$ mm, the choice of which is left to the installer.

- Fix the pipe in position using sufficient pipe clamps (not supplied).
- Remove any activated charcoal filters.



RECIRCULATION VERSION AIR OUTLET

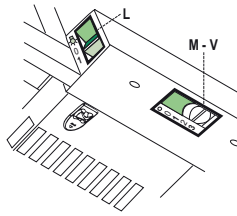
- Cut a hole $\varnothing 125$ mm in any shelf that may be positioned over the hood.
- Connect the flange to the outlet on the shelf over the hood using a flexible or rigid pipe $\varnothing 120$ mm.
- Fix the pipe in position using sufficient pipe clamps (not supplied).
- Fix the directional grille **8** on the recirculation air outlet using the 2 screws **12e** (2,9 x 9,5) provided.
- Ensure that the activated charcoal filters have been inserted.



ELECTRICAL CONNECTION

- Connect the hood to the mains through a two-pole switch having a contact gap of at least 3 mm.
- When opening the sliding carriage for the first time after installing the hood, pull it out briskly until it clicks.

Control panel



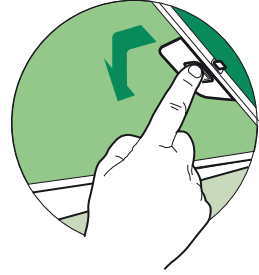
- | | | |
|----------|-------|--|
| L | Light | Switches the lighting system on and off. |
| M | Motor | Switches the extractor motor on and off. |
| V | Speed | Sets the operating speed of the extractor: |
1. Low speed, used for a continuous and silent air change in the presence of light cooking vapour.
 2. Medium speed, suitable for most operating conditions given the optimum treated air flow/noise level ratio.
 3. Maximum speed, used for eliminating the highest cooking vapour emission, including long periods.

CARE AND CLEANING

Grease filters

CLEANING METAL CASSETTE GREASE FILTERS

- The filters must be cleaned every 2 months, or more frequently in case of particularly heavy use of the hood. Filters can be washed in a dishwasher.
- Pull out the sliding suction panel.
- Remove the filters one by one, after having disconnected the relative fastening elements.
- Wash the filters, taking care not to bend them. Let them get dry before refitting them. (The colour of the filter surface may change throughout the time but this has no influence to the filter efficiency).
- When refitting the filters, make sure that the handle is visible on the outside.
- Close the sliding suction panel.

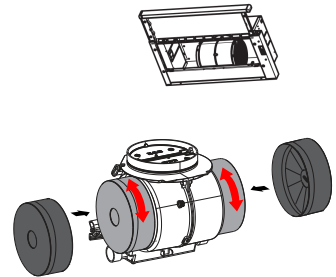


Charcoal filter (Recycling version)

REPLACING CHARCOAL FILTERS

Warning: Turn the lights off and wait until the lamps cool down before you change the odour filter.

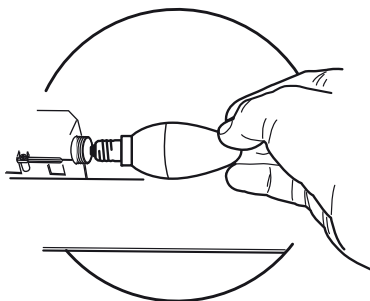
- These filters are not washable and cannot be regenerated, and must be replaced approximately every four months or more frequently by particularly heavy use.
- Pull out the sliding suction panel.
- Remove the grease filters.
- Remove the saturated carbon filter by releasing the fixing hooks
- Fit the new filter by hooking it into its seating.
- Replace the grease filters.
- Close the sliding suction panel.





WORKTOP ILLUMINATION

If a lamp fails to function at any time, open the metal grille panel and check that the lamp is fully screwed into the holder.

When changing the lamp, an identical replacement must be fitted to ensure a safe working of the hood.



Lamp	Power (W)	Socket	Voltage (V)	Dimension (mm)	ILCOS Code
	4	E14	220-240	107 x 37	DRBB/F-4-220-240-E14-35/100
	5	GU10	230	52 x 50	DRPAR-5/840-220/240-GU10-35/36 DRPAR-5/830-220/240-GU10-35/36

Service



www.blaupunkt-einbaugeraete.com

 **1800 252 878 658**

Australia

CustomerCare@blaupunktAU.com