



Instructions for installation and use

Cooker Hood

5DA49450AU


5DA45450AU


INDEX

AU

SAFETY INFORMATION	3
CHARACTERISTICS	6
INSTALLATION	7
USE	9
CARE AND CLEANING	10

SAFETY INFORMATION

 For your safety and correct operation of the appliance, read this manual carefully before installation and use. Always keep these instructions with the appliance even if you move or sell it. Users must fully know the operation and safety features of the appliance.

 The wire connection has to be done by specialized technician.

- The manufacturer will not be held liable for any damages resulting from incorrect or improper installation.
- The minimum safety distance between the cooker top and the extractor hood is 650 mm (some models can be installed at a lower height, please refer to the paragraphs on working dimensions and installation).
- If the instructions for installation of the gas hob specify a greater distance, this must be respected.
- Check that the mains voltage corresponds to that indicated on the rating plate fixed to the inside of the hood.
- Means for disconnection must be incorporated in the fixed wiring in accordance with the wiring rules.
- For Class I appliances, check that the domestic power supply guarantees adequate earthing.
- Connect the extractor to the exhaust flue through a pipe of minimum diameter 120 mm. The route of the flue must be as short as possible.
- Regulations concerning the discharge of air have to be fulfilled.
- Do not connect the extractor hood to exhaust ducts carrying combustion fumes (boilers, fireplaces, etc.).

- If the extractor is used in conjunction with non-electrical appliances (e.g. gas burning appliances), a sufficient degree of aeration must be guaranteed in the room in order to prevent the backflow of exhaust gas. When the cooker hood is used in conjunction with appliances supplied with energy other than electric, the negative pressure in the room must not exceed 0,04 mbar to prevent fumes being drawn back into the room by the cooker hood.
- The air must not be discharged into a flue that is used for exhausting fumes from appliances burning gas or other fuels.
- If the supply cord is damaged, it must be replaced from the manufacturer or its service agent.
- Connect the plug to a socket complying with current regulations, located in an accessible place.
- With regards to the technical and safety measures to be adopted for fume discharging it is important to closely follow the regulations provided by the local authorities.


⚠ WARNING: Before installing the Hood, remove the protective films.

- Use only screws and small parts supplied with the hood.


⚠ WARNING: Failure to install the screws or fixing device in accordance with these instructions may result in electrical hazards.

- Do not look directly at the light through optical devices (binoculars, magnifying glasses...).
- Do not flambè under the range hood; risk of fire.
- This appliance can be used by children aged from 8 years and above and persons with reduced physical, sensory or mental capabilities or lack of experience and knowledge if they have been given supervision or instruction concerning use of the appliance in a safe way and understand the hazards involved. Children shall not play with the appliance. Cleaning and user maintenance shall not be made by children without supervision.
- Children should be supervised to ensure that they do not play with the appliance.

- The appliance is not to be used by persons (including children) with reduced physical, sensory or mental capabilities, or lack of experience and knowledge, unless they have been given supervision or instruction.

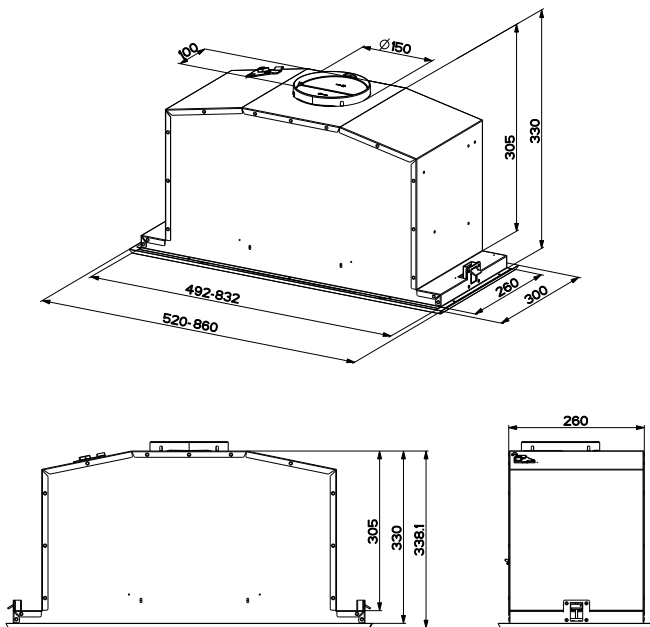
 Accessible parts may become hot when used with cooking appliances.

- Clean and/or replace the Filters after the specified time period (Fire hazard). See paragraph Care and Cleaning.
- There shall be adequate ventilation of the room when the range hood is used at the same time as appliances burning gas or other fuels (not applicable to appliances that only discharge the air back into the room).

- The symbol  on the product or on its packaging indicates that this product may not be treated as household waste. Instead it shall be handed over to the applicable collection point for the recycling of electrical and electronic equipment. By ensuring this product is disposed of correctly, you will help prevent potential negative consequences for the environment and human health, which could otherwise be caused by inappropriate waste handling of this product. For more detailed information about recycling of this product, please contact your local city office, your household waste disposal service or the shop where you purchased the product.

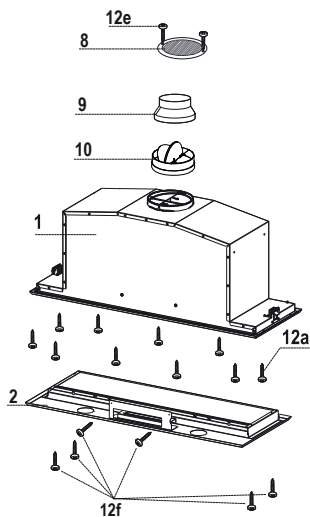
CHARACTERISTICS

Dimensions



Components

Ref.	Q.ty	Product Components
1	1	Hood Body, complete with :Controls, Light, Blower, Filters
2	1	Frame
8	1	Directioned grid
9	1	Reducer Flange \varnothing 150-120 mm
10	1	Damper \varnothing 150 mm
Ref.	Q.ty	Installation Components
12a	10	Screws
12e	2	Screws 2,9 x 9,5
12f	6	Screws 2,9 x 6,5
Q.ty	Documentation	
1	Instruction Manual	



INSTALLATION

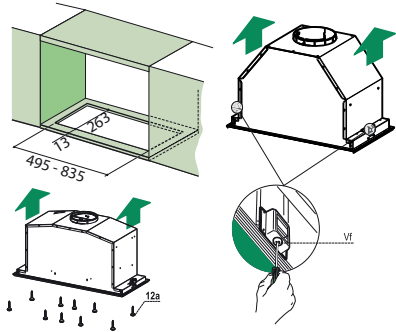
Fitting the Hood canopy

BEFORE FITTING THE HOOD TO THE WALL UNIT, PROCEED AS FOLLOWS:

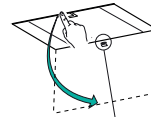
- Disconnect the wires to the Commands at the connectors.
- Disconnect the wires to the Light at the connectors.



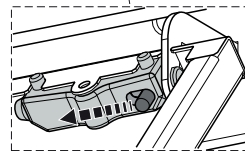
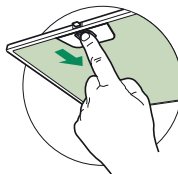
- The Hood can be installed directly on the underside of the wall unit (Minimum 650 mm from the Cooker Hob).
- Create an opening in the bottom of the wall unit, as shown.
- Insert the hood until the side supports snap into place.
- Fasten using the 10 screws **12a** provided.
- Lock in position by tightening the screws **Vf** from underneath the hood.



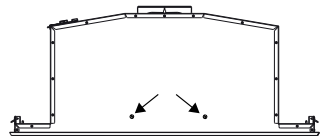
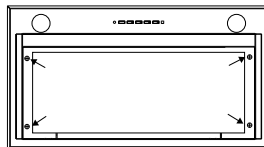
- Open the suction panel by turning the specific knob.
- Disconnect the panel from the hood canopy by sliding the fixing pin lever.



- Remove grease filters.



- Screw the Frame into place using the 6 screws **12f**, re-connect the wires to the Commands and Light, replace the metal grease filter and the Panel.

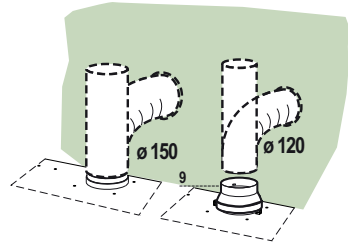


Connections

DUCTED VERSION AIR EXHAUST SYSTEM

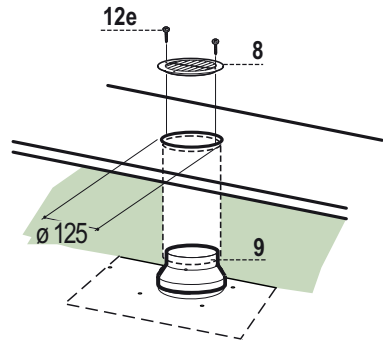
When installing the ducted version, connect the hood to the chimney using either a flexible or rigid pipe \varnothing 150 or 120 mm, the choice of which is left to the installer.

- To install a \varnothing 120 mm air exhaust connection, insert the reducer flange **9** on the hood body outlet.
- Fix the pipe in position using sufficient pipe clamps (not supplied).
- Remove possible charcoal filters.



RECIRCULATION VERSION AIR OUTLET

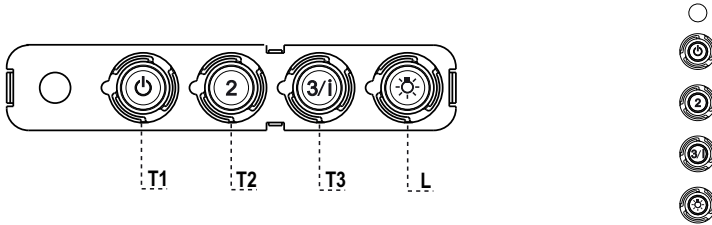
- Cut a hole \varnothing 125 mm in any shelf that may be positioned over the hood.
- Insert the reducer flange **9** on the hood body outlet.
- Connect the flange to the outlet on the shelf over the hood by using a flexible or rigid pipe \varnothing 120 mm.
- Fix the pipe in position using sufficient pipe clamps (not supplied).
- Fix the air outlet grid **8** on the recirculation air outlet by using the 2 screws **12e** (2,9 x 9,5) provided.
- Ensure that the activated charcoal filters have been inserted.



ELECTRICAL CONNECTION

- Connect the hood to the mains through a two-pole switch having a contact gap of at least 3 mm..

USE



Control panel

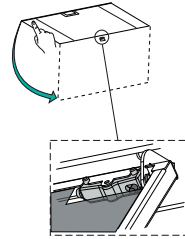
BUTTON	LED	FUNCTIONS
T1 Speed	On	Turns the Motor on at Speed one. Turns the Motor off.
T2 Speed	On	Turns the Motor on at Speed two.
T3 Speed	Fixed Flashing	When pressed briefly, turns the Motor on at Speed three. Pressed for 2 Seconds. Activates Speed four with a timer set to 6 minutes, after which it returns to the speed that was set previously. Suitable to deal with maximum levels of cooking fumes.
L Light		Turns the Lighting System on and off.

Warning: Button **T1** turns the motor off, after first passing to speed one.

CARE AND CLEANING

Opening Panel

- Open the Panel by pulling it.
- Clean the outside with a damp cloth and neutral detergent.
- Clean the inside using a damp cloth and neutral detergent; do not use wet cloths or sponges, or jets of water; do not use abrasive substances.



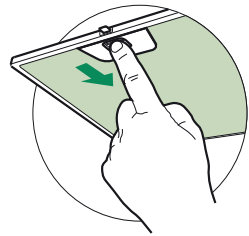
Metal grease filters

These can be washed in the dishwasher, and need to be cleaned whenever the **S1** Led comes on or at least once every 2 months use, or more frequently if use is particularly intensive.

CLEANING THE FILTERS

Resetting the alarm signal

- Turn the Lights and the Suction Motor off.
- Press **T3** and hold for at least 3 seconds, until LED flashes three times in confirmation.



Cleaning the Filters

- Open the doors.
- Remove the Filter, pushing it towards the back of the unit and at the same time pulling downward.
- Wash the filter without bending it, and leave it to dry thoroughly before replacing (if the surface of the filter changes colour over time, this will have absolutely no effect on its efficiency).
- Replace, taking care to ensure that the handle faces forwards.
- Close the doors again.

Activated Charcoal Filter (Recirculation Version)

This cannot be washed or regenerated, and must be changed when led **S1** starts to flash, or at least once every 4 months. The Alarm signal, if it has been activated, only appears when the Suction motor is turned on.

Activating the alarm signal

- In Recirculation Version Hoods, the Filter Saturation Alarm must be activated on installation or at a later date.
- Turn the Lights and the Suction Motor off.
- Press button **T2** and hold it for **5 seconds** until the LED flashes twice in confirmation:

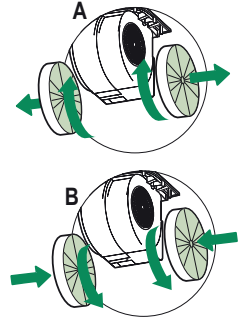
CHANGING

Resetting the alarm signal

- Turn the Lights and the Suction Motor off.
- Press **T3** and hold for at least 3 seconds, until LED flashes three times in confirmation.

Changing the Filter

- Open the doors.
- Remove the Metal Grease Filter.
- Remove the saturated Activated Charcoal Filters, as indicated **(A)**.
- Fit the new Filters, as indicated **(B)**.
- Replace the Metal grease filters.
- Close the doors.



Lighting unit

- For replacement contact technical support ("To purchase contact technical support").

Service



www.blaupunkt-einbaugeraete.com

 **1800 252 878 658**

Australia

CustomerCare@blaupunktAU.com