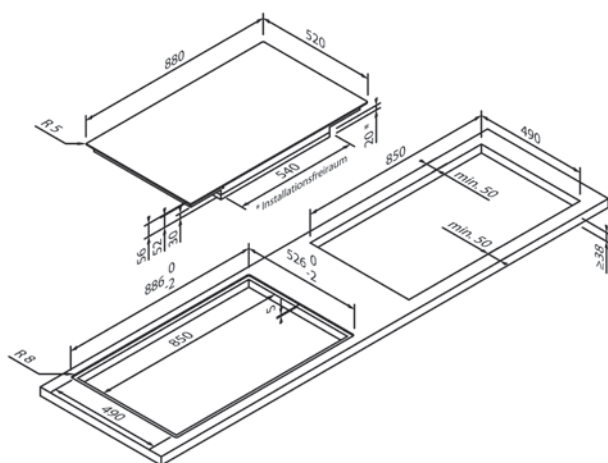
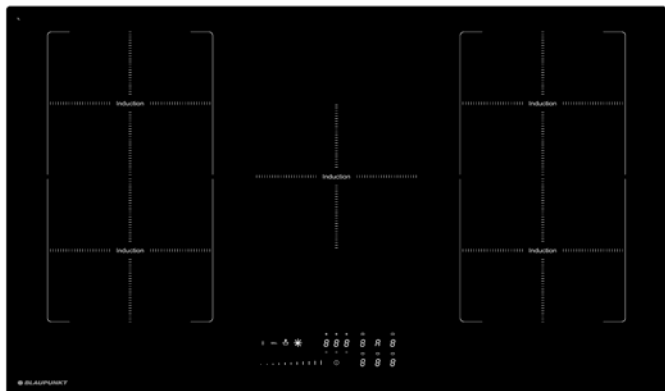




51194291

EG1383



Design	
Version	Frameless
Construction type	Top mounted / flush-mounted
Width (in cm)	90

Heating type & functions	
Heating type	Induction
Power levels	10
Number of cooking zones	5
Cooking zones	4 × 20,0 × 21,0 cm (2,3 kW / 3,0 kW), 1 × Ø 21,5 cm (2,3 kW / 3,0 kW)
Boost function	•
Double ring zone	–
Casserole zone	–
Special functions	2 × Combi induction

Operating comfort & equipment	
Operation	Touch control with slider
Display / Colour	Digital / White
Pot detection	•
Residual heat display	•
Timer	•
Child lock	•
Safety switch-off	•
Power management	•
Multi Control ¹	•

Technical data	
Connected load	7,4 kW / 220 – 240 V
Fuse protection (in A)	2 × 16 A
Frequency (in Hz)	50;60 Hz
Plug type	
Length of connection cable (in cm)	110 cm
Net weight (in KG)	14,4 kg
Gross weight (in KG)	17,03 kg
Dimensions of the packaged appliance (H × W × D)	10,0 × 103,0 × 62,5 cm
Appliance dimensions (H × W × D)	5,2 × 88,0 × 52,0 cm
Installation dimensions (H × W × D)	5,2 × 81,0 × 49,0 cm
EAN	4251003104769

Note	
Ventilation	No ventilation from the front necessary