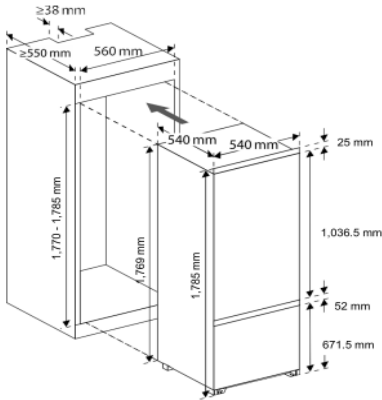




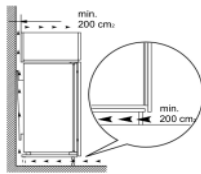
<p><b>5CB28010</b> <b>Built-in Refrigerator</b></p> <ul style="list-style-type: none"> <li>• Seamlessly fit with kitchen</li> <li>• Electronic temperature control</li> <li>• Audible door open alarm</li> <li>• Super freeze function</li> <li>• Reversible door with magnetic seal</li> <li>• Stylish LED light</li> <li>• Adjustable glass shelf</li> <li>• Crisper drawers with glass cover</li> <li>• Removable door balconies</li> <li>• Flat door for built-in purpose</li> <li>• With installation accessories</li> <li>• High-efficiency monolithic foaming</li> <li>• RoHS, WEEE, REACH and ERP compatible</li> <li>• LFGB, PAHs and phthalate certified</li> <li>• Environment-friendly</li> <li>• Star Rating: 4</li> <li>• Energy class: A+</li> </ul>
---

<p><b>Characteristics:</b>                  Color / Material Front: White                  Built-in / Free standing: Built-in                  Integrated Cleaning system: No                  Required niche size for installation (W x D x H): 560 x 550 x 1785                  Dimension of product (mm): 540 x 540 x 1770                  Total net capacity (Liter): 250                  Net fridge capacity (Liter): 185                  Net freezer capacity (Liter): 65                  Door Material: Metal                  Net weight (kg): 54.0                  Usable volume of cavity (l): 250                  Temperature control: Electronic                  Approval certificates: GS, CE, CB, KC                  Length power cord (cm): 160                  Included accessories cavity:                  5 x Glass shelves                  1 x Crisper drawer with glass cover                  3 x Fridge door balconies                  3 x Freezer drawers                  1 x Egg tray</p>
---

Installation dimensions:



Ventilation cross-section:



<p><b>Consumption and connection features:</b>                  Energy consumption conventional (kWh) - cavity1: 0.72                  Current (A): 0.75                  Voltage(V): 220-240                  Frequency (HZ): 50                  Plug type: French double round plug                  Color / material front: White                  Energy input: Electric                  Approval certificate: GS, CE, CB, KC                  Dimension of the packed product (mm): 575 x 560 x 1845                  Required niche size for installation (W x D x H): 560 x 550 x 1785                  Dimension of product (mm): 540 x 540 x 1770                  Net weight(kg): 54.0                  Gross weight(kg): 58.0</p>
--

<p><b>Accessory:</b>                  5 x Glass shelves                  1 x Crisper drawer with glass cover                  3 x Fridge door balconies                  3 x Freezer drawers                  1 x Egg tray</p>
--