



**built-in fridge-freezer with freezer at bottom, 144.6 x 54.1 cm  
5CC267FF0**

**Performance and consumption**

- Energy Efficiency Class: A++ at a range of energy efficiency classes from A+++ to D
- Energy consumption: 199 kWh/yr
- Net capacity: 209 l
- Noise level: 38 dB(A) re 1 pW
- fully integrated

**Design and Styling**

- Type of hinge: fixed hinge
- LED interior light in fridge section

**Convenience & Safety**

- LED electronic control
- Super Freezing: manual activation
- Automatic defrost in fridge section

**Fridge Compartment**

- Net fridge capacity total: 157 l
- 4 safety glass shelves, of which 3 are height adjustable
- 1 door trays high
- LED interior light

**Freshness System Freshness System**

- Vegetable container

**Freezer Section**

- Net capacity \*\*\*\* freezer: 52 l
- Freezing capacity: 2.5 kg/24 h
- Storage time in power failure: 22 h
- Vario Zone - removable safety glass shelves for extra space!
- 2 transparent freezer drawers

**Technical Information**

- Door right hinged, reversible
- Connected load: 90 W
- Nominal voltage: 220 - 240 V

**Dimensions**

- Niche Dimension (H x W x D): 145.0 cm x 56.0 cm x 55.0 cm
- Appliance Dimensions ( H x W x D): 144.6 cm x 54.1 cm x 54.5 cm

**Accessories**

- egg tray

**Country Specific Options**

- Gross capacity 212 l
- Gross capacity cooling 159 l
- Gross capacity\*\*\*\* freezer: 53 l (-18°C and below)

**Included accessories**

**Optional accessories**

**Technical Data**

**Characteristics**

- Built-in / Free-standing : Built-in
- Number of compressors : 1
- Number of independent cooling systems : 1
- Width of the appliance : 541
- Depth of the product : 545
- Net weight (kg) : 53.049
- Required niche size for installation (HxWxD) : 1450 x 560 x 550
- Door panel options : Not possible
- Door hinge : Right reversible
- Number of Adjustable Shelves in fridge compartment : 3
- Shelves for Bottles : No
- Frost free system : No
- Interior ventilator : No
- Reversible Door Hinge : Yes
- Length electrical supply cord (cm) : 230
- Noise level (dB) : 38
- Multi-Flow Air Tower : No
- Fast cooling switch : No
- Fast freezing switch : Yes
- Temperature Controlled Drawer : No
- Humidity Control Drawer : No
- Number of Door Bins - Refrigerator : 3
- Door bin adjustability - Refrigerator : No
- Tilt-out door bins in fridge : No
- Gallon Storage : Yes
- Number of Gallon storage : 1
- Motorized Shelf : No
- Door opened indicator freezer : No
- Drawers with telescopic rails : none
- Automatic motor-driven ice-maker : No

**Consumption and connection features**

- Connection Rating (W) : 90
- Current (A) : 10
- Voltage (V) : 220-240
- Frequency (Hz) : 50
- Storage Period in Event of Power Failure (h) : 22
- Approval certificates : CE, VDE
- Main colour of product : N/A
- Door panel options : Not possible
- Noise level (dB) : 38
- Energy Star Qualified : No
- Approval certificates : CE, VDE
- Dimensions of the packed product (in) : 59.44 x 24.40 x 25.19
- Net weight (lbs) : 117.000
- Gross weight (lbs) : 127.000

**Alternative colors available**

Blaupunkt  
5CC267FF0  
Built-in fridge-freezer combination

EAN code:  
4251003105322

Predecessor:

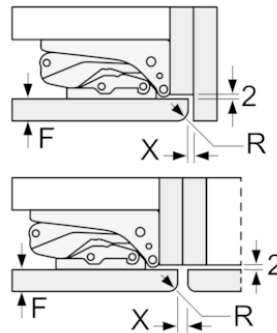
Successor:

sales programme:

built-in fridge-freezer with freezer at bottom, 144.6 x 54.1 cm  
5CC267FF0

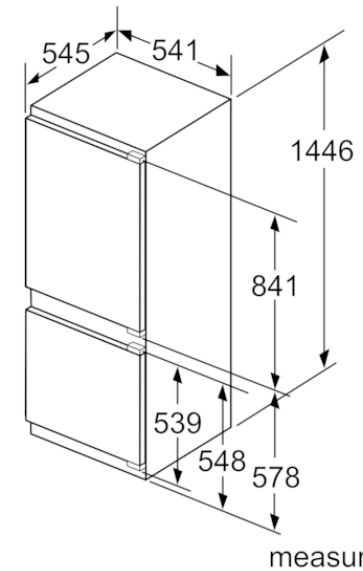


measurements in mm  
Recommended gap dimensions for flat hinges

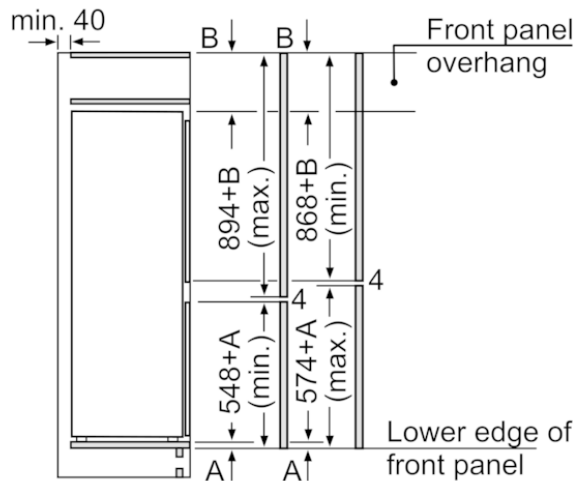


F	R	X
16-19	0-3	2.5
20	0-1	3
	2-3	2.5
21	0-1	3
	2-3	2.5
22	0	4
	1	3.5
	2-3	3

The gap dimensions recommended in the table must be adhered to in order to ensure that appliance doors do not collide with anything when they are opened, and to avoid causing damage to kitchen units.

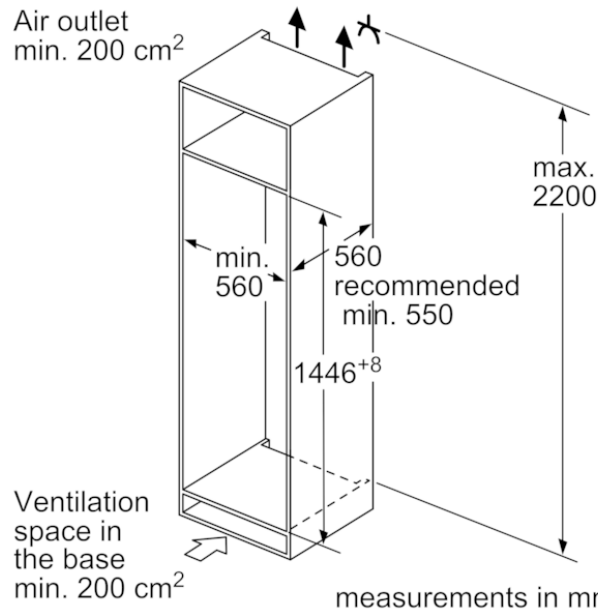


measurements in mm



The specified unit door dimensions are valid for a door gap of 4 mm.

measurements in mm



measurements in mm