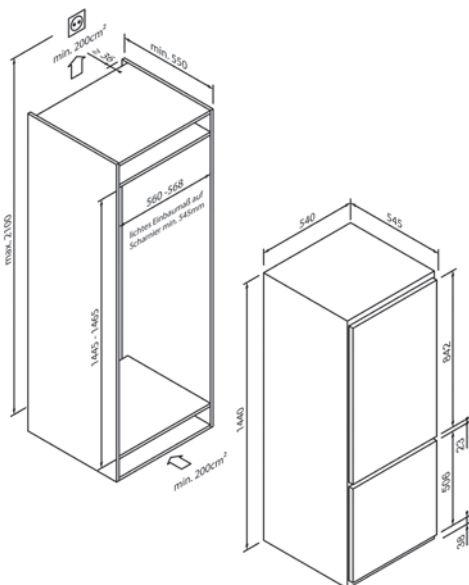




5CC268SD0

EG017400



Design	
Construction type	Installation
Height (in cm)	145
Output & consumption	
Energy consumption per year (in kWh)	163
Total useful capacity (in litres)	211
Noise level (in dB A) re 1 pW	38
Operating comfort & equipment	
Temperature control / display	Mechanical
Interior lighting	LED
Refrigeration compartment	
Useful capacity (in litres)	154
Shelves made of safety glass	3/2 height-adjustable
Door shelves	3
Freshness system	Freshness box
Automatic defrost in refrigeration compartment	•
Freezer compartment	
Useful capacity (in litres)	57
Freezer drawers / freezer compartment	2/-
Big Box	-
Freezing capacity (kg in 24 hours)	2,6
Storage time in case of malfunction (in hours)	11,8
Super freezing	•
No Frost / Low Frost	-/•
Technical data	
Energy efficiency class	D
Fixed door technology / sliding door technology	-/•
Door hinge	Right, changeable
Connected load	90W / 220-240 V
Fuse protection (in A)	0,67 A
Frequency (in Hz)	50 Hz
Plug type	Type F
Length of connection cable (in cm)	220 cm
Net weight (in KG)	44,0 kg
Gross weight (in KG)	47,0 kg
Dimensions of the packaged appliance (H x W x D)	150,4 x 58,4 x 57,7 cm
Appliance dimensions (H x W x D)	144,0 x 54,0 x 54,5 cm
Recess dimensions (H x W x D)	144,5 x 56,0 x 55,0 cm
EAN	4251003109351
Note	
Note	