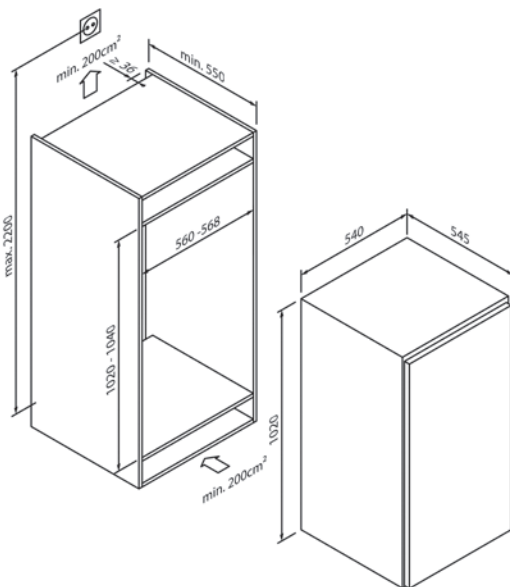




5CG238FD0

EG017210



Design	
Construction type	Installation
Height (in cm)	102,5
Output & consumption	
Energy consumption per year (in kWh)	118
Total useful capacity (in litres)	139
Noise level (in dB A) re 1 pW	38
Operating comfort & equipment	
Temperature control / display	Electronic / Digital
Interior lighting	LED
Refrigeration compartment	
Useful capacity (in litres)	123
Shelves made of safety glass	3 / 2 height-adjustable
Door shelves	4
Freshness system	Freshness box
Automatic defrost in refrigeration compartment	•
Freezer compartment	
Useful capacity (in litres)	16
Freezer drawers / freezer compartment	- / 1
Big Box	-
Freezing capacity (kg in 24 hours)	2,6
Storage time in case of malfunction (in hours)	9
Super freezing	-
No Frost / Low Frost	- / -
Technical data	
Energy efficiency class	D
Fixed door technology / sliding door technology	• / -
Door hinge	Right, changeable
Connected load	90W / 220-240 V
Fuse protection (in A)	0,68 A
Frequency (in Hz)	50 Hz
Plug type	Type F
Length of connection cable (in cm)	220 cm
Net weight (in KG)	30,5 kg
Gross weight (in KG)	33,0 kg
Dimensions of the packaged appliance (H x W x D)	108,4 x 58,4 x 57,7 cm
Appliance dimensions (H x W x D)	102,0 x 54,0 x 54,5 cm
Recess dimensions (H x W x D)	102,0-104,0 x 54,0 x 54,5 cm
EAN	4251003109368

Note	
Note	