

5FG22030
Built-in Freezer



5FG22030 White

General Information

- Combined to Fridge/Freezer combination

Performance and consumption

- Energy Efficiency Class: A++
- Energy Efficiency Class: A++ kWh/yr: 151
- Net capacity: 94 l
- Climate Class: SN-ST
- Noise level: 36 dB(A) re 1 pW
- fully integrat. with special hinged door

Design

- Integrable, Sliding hinge

Comfort and Safety

- Electromechanical temperature control
- 1 compressor/1 cold circuit
- Warning System by temperature increase

Freezer Section

- 4 freezer drawers
- Super freezing with automatic switch off
- Calendar frozen food
- Net capacity **** freezer: 94 l
- Freezing capacity: 11 kg/24 h
- Storage time in power failure: 19 h

Technical Information

- reversible, Door right hinged
- Connected load: 90 W
- Nominal voltage: 220 - 240 V

Dimensions

- Dimensions (H x W x D): 87.4 cm x 53.1 cm x 54.2 cm
- Niche Dimension (H x W x D): 88.0 cm x 56.0 cm x 55.0 cm

Accessories

Environment and Safety

Country Specific Options

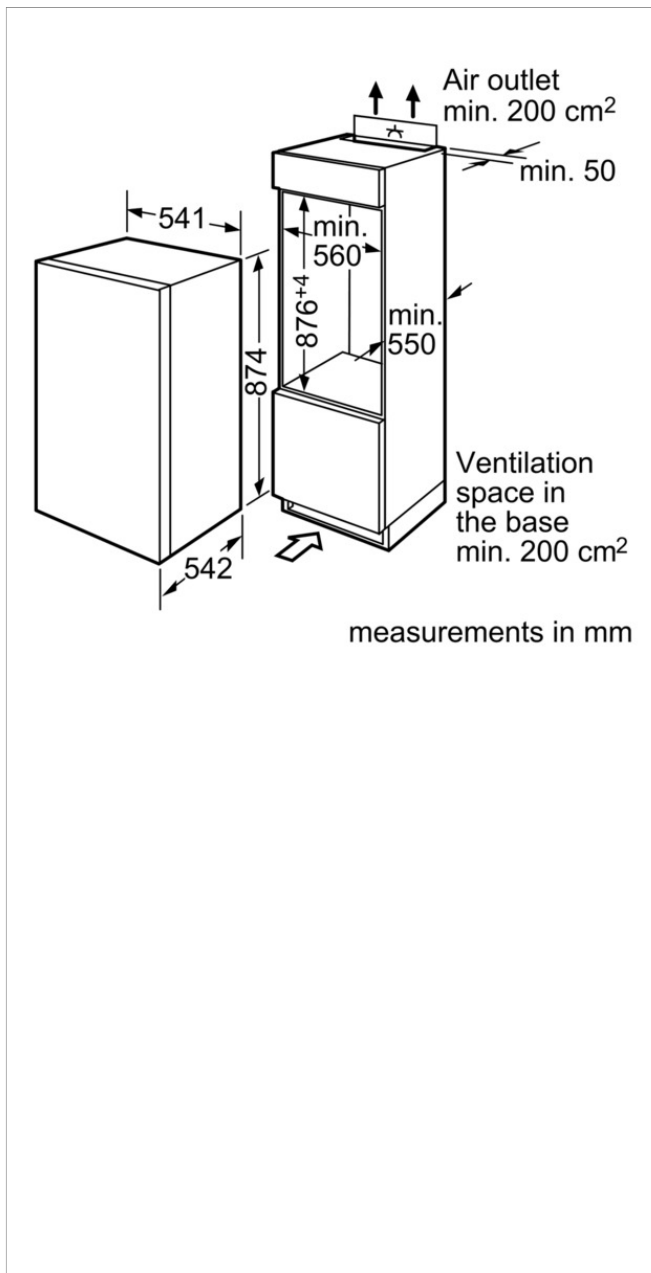
- Gross capacity 106 l
- Based on the results of the standard 24-hour test. Actual consumption depends on usage/position of the appliance.

Installation

4251003100679

5FG22030

Built-in Freezer



Characteristics

Product category: Upright freezer
 Built-in / Free-standing: Built-in
 Color / Material body: White
 Frost free system: No
 Climate class: SN-ST
 Door panel options: Not possible
 Width of the product (mm): 531
 Depth of the product: 542
 Required niche size for installation (HxWxD): 880 x 560 x 550
 Warning signal / malfunction: Visual
 Defrost process: manual
 Cover door installation system: Slided-mounted
 Number of drawers/baskets (Stck): 4
 Number of freezing flaps (Stck): 0
 Lockable door: No
 Thermometer freeze section: None
 Light: No
 Length electrical supply cord (cm): 230
 Door hinge: Right reversible
 Net weight (kg): 36.0
 Gross weight (kg): 38.0
 Multi-Flow Air Tower: No
 Number of compressors: 1
 Number of independent cooling systems: 1
 Economy setting: No
 Fast freezing switch: Yes
 Number of Door Bins - Freezer: 0
 Reversible Door Hinge: Yes

Consumption and connection features

Connection Rating (W): 90
 Current (A): 10
 Frequency (Hz): 50
 Approval certificates: VDE
 Energy consumption (kWh):
 Total annual energy consumption (kWh):
 Universal Product Code:
 Main colour of product: White
 Door panel options: Not possible
 Installation typology: Full-integrated
 Noise level (dB): 36
 Energy Star Qualified: No
 Approval certificates: VDE
 Length of electrical supply cord (in):
 Plug type: GARDY plug w/ earthing
 Appliance dimensions (h x w x d) inch:
 Required cutout/niche size for installation (in): x x
 Appliance Width (in):
 Height (in):