

Built-in compact microwave oven



5C60M8690GB

EG1594



Additional accessories available

Universal pan (black)

5Z 50CB10E1

EG12802

Glass dish

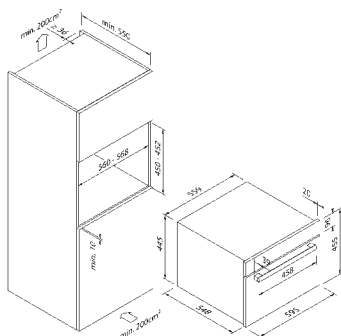
5Z 50CG10E0

EG15141

Multi-use wire shelf

5Z 50CR10X1

EG12801



Design	
Colour	Black / Dark Steel
Operating modes & functions	
Number of heating types	
Top / bottom heat	•/•
Hot air / Hot air Eco	•/-
Circulation	•
Circulation grill	•
Large area grill	•
Small area grill	•
Pizza level	•
Defrosting	•
Dough process	•
Steam-cooking	-
Microwave	900 W microwave with 5 power levels
Combination functions	•

Operating comfort & equipment	
Operation	Touch control with slider
Display / Colour	Digital / White
Door damping	-
Temperature recommendation	•
Defrosting programmes	•
Child lock	•
Cleaning	-
Water tank volume (in litres)	-
Cooking chamber capacity (in litres)	50

Accessories included**	
Accessories included	Multi-use wire shelf, Enamelled baking tray, Glass pan

Technical data	
Energy efficiency class	-
Connected load	3,0 kW / 230 V
Fuse protection (in A)	
Fuse protection (in A)	
Frequency (in Hz)	
Plug type	
Length of connection cable (in cm)	
Net weight (in KG)	
Gross weight (in KG)	
Dimensions of the packaged appliance (H x W x D)	
Appliance dimensions (H x W x D)	45,4 x 59,5 x 56,8 cm
Installation dimensions (H x W x D)	45,0 x 56,0 x 55,0 cm
EAN	

Note	
Note	